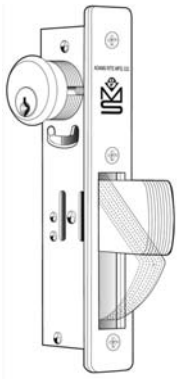


ADAMS RITE Manufacturing Co.® designs, manufactures and markets door and door hardware products to the commercial, industrial and institutional building construction industry. The company product line includes locks, latches, electric strikes and exit devices for exterior and interior doors as well as integrated door assemblies.

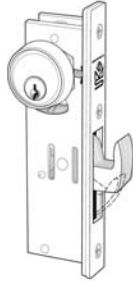
|                            |         |
|----------------------------|---------|
| Sliding Door Applications  | 15 - 17 |
| Swinging Door Applications | 18 - 20 |
| Electric Strikes           | 21 - 22 |
| Exit Devices               | 23 - 24 |

**Adams Rite®**

**MS1950/ MS1950-050 Series Deadbolts for Sliding Door Applications**



**MS1950**



**MS1950-050**

**For Aluminum Stile Doors - 1" x 6-7/8" Faceplate**

**Cylinder Backset**  
31/32", 1-1/8" or 1-1/2" only

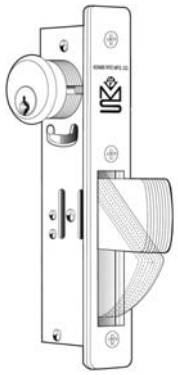
**Case**  
Fully stainless steel case and internal components. 1" x 6" x depth.

**Bolt**  
5/8" x 1-3/8" x 2-7/8" with 1-3/8" throw. Eight ply laminated stainless steel. Center ply has Alumina-Ceramic core to defeat any hacksaw attack, including rod-type "super" hacksaws.

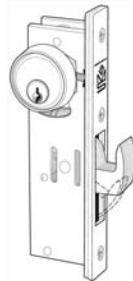
**MS1950 Function**  
A huge bolt of laminated stainless steel, nearly three inches long, activated by an uncomplicated pivot mechanism, has made this basic MS® Deadbolt the standard of the narrow stile door industry.

**MS1950 Function**  
The MS Hookbolt deadlock answers the security need of sliding glass doors in commercial, industrial and institutional buildings. The mechanism is identical to the widely used Maximum Security swinging door lock, except that the massive laminated bolt is provided in a hook shape to resist the parting motion of sliding door and jamb.

**MS1850S/ MS1850S-050 Series Deadbolts for Sliding Door Applications**



**MS1850S**



**MS1850S-050**

**For Aluminum Stile Doors - 1" x 6-7/8" Faceplate**

**Cylinder Backset**  
31/32", 1-1/8" or 1-1/2" only.

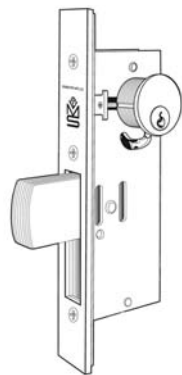
**Case**  
Steel with corrosion-resistant plating. 1" x 6" x depth.

**Bolt**  
5/8" x 1-3/8" x 2-7/8" with 1-3/8" throw. Eight ply laminated stainless steel. Center ply has Alumina-Ceramic core to defeat any hacksaw attack, including rod-type "super" hacksaws.

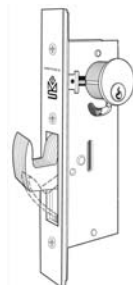
**MS1850S Function**  
A huge bolt of laminated stainless steel, nearly three inches long, activated by an uncomplicated pivot mechanism, has made this basic MS® Deadbolt the standard of the narrow stile door industry.

**MS1850S-050 Function**  
The MS Hookbolt deadlock answers the security need of sliding glass doors in commercial, industrial and institutional buildings. The mechanism is identical to the widely used Maximum Security swinging door lock, except that the massive laminated bolt is provided in a hook shape to resist the parting motion of sliding door and jamb.

**MS1850SN/ MS1850SN-050 Series Deadbolts for Sliding Door Applications**



**MS1850SN**



**MS1850SN-050**

**For Wood or Hollow Steel Doors - 1-1/4" x 8" Faceplate**

**Cylinder Backset**  
1-1/2" only

**Case**  
Steel with corrosion-resistant plating. 1" x 6" x depth.

**Bolt**  
5/8" x 1-3/8" x 2-7/8" with 1-3/8" throw. Eight ply laminated stainless steel. Center ply has Alumina-Ceramic core to defeat any hacksaw attack, including rod-type "super" hacksaws.

**MS1850SN Function**  
For hollow steel or wood doors prepared for hardware according to the specifications of the American National Standards Institute, this MS deadbolt provides maximum security and ease of installation.

**MS1850SN-050 Function**  
For hollow steel or wood doors prepared for hardware according to the specifications of the American National Standards Institute, this MS deadbolt provides maximum security and ease of installation. Its standard 1-1/2" backset dimension provides adequate clearance for the deep jamb "pocket" of many commercial and industrial entrances.

**How to order**

**Please call a Dugmore & Duncan Sales Technician For Assistance**

### MS1847 Series Deadbolt for Sliding Door Applications



#### For Ultra-Narrow Aluminum Stiles

##### Case

Stainless steel. 1/2", 3-3/16" x 1-1/8".  
Also available in zinc-plated steel (MS1848)

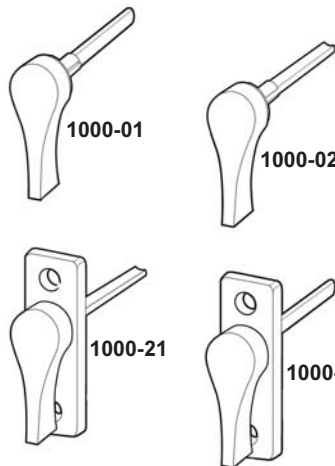
##### Anti-Lift Bolt

3-ply laminated stainless steel. Designed to withstand approximately one-half ton force, either horizontal or vertical. Stops both door-from-jamb prybar attacks and attempts to lift the door from its track.

##### Function

A compact lock to fit within very narrow sliding door stiles without compromising in any way the high degree of security these doors need. The sturdy stainless steel bolt has two important features not usually found in sliding door hardware. First, it is adjustable: a full 3/16" lengthening or shortening of bolt projection is possible by turning an exposed screw in the face of the lock. This can compensate for a considerable misalignment between door and jamb. Secondly, the MS1847 bolt is self-protecting: if the door is closed with bolt in locked position, the bolt will retract immediately on contact with the jamb, thus preventing damage or accidental lock-out.

### 1000 Series Turns for Sliding Door Applications



#### For use with MS1847 or 5017 deadbolts

##### Spindles

Hardened steel, plated for corrosion resistance. First Dash number indicates spindle parallel or perpendicular to turn lever. Second Dash number indicates spindle Length.

##### Turn Lever

Zinc alloy. Trim finish RC130.

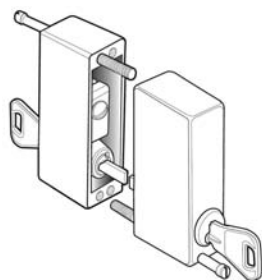
##### Escutcheon

Made of Steel. Trim finish in RC130.

##### MS1850S Function

Series 1000 turns are designed to operate Adams Rite MS1847 deadlocks and latches. 1000-11 and 1000-21 have a rectangular escutcheon for mounting directly on door. 1000-01 and 1000-02 are without escutcheon, designed for easy push-nut mounting to door pull or other trim plate.

### 4024/4025 Series Cylinder Pulls for Sliding Door Applications



4025 CYL x CYL.  
shown

#### For use with MS1847 or 4035 deadbolts

##### Trim Finish

Zinc alloy housing. Ritecoat 130 finish is standard.

##### Cylinders Both Sides

A pair of 4025 Cylinder Pulls can be mounted opposite each other with long machine screws as shown. Security is maintained since each side offers access to only one screwhead. Both screws would have to be removed to operate the lock without its key. Specify 4025 CYL x CYL. set.

##### Function

Designed for use with Adams Rite MS1847 or 4035 deadlocks and latches, these surface mounted pulls allow a sliding glass door to be "keyed-in" with other types of doors which have key-in-knob or mortise cylinder locks.

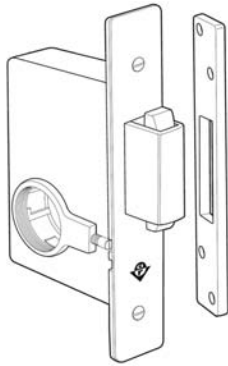
4025 has mounting holes spaced to allow clearance around MS1847 lock mechanism for long through-the-stile mounting screws.

4024 is smaller and symmetrical, designed for mounting door pull or other trim plate. (Can be mounted directly on stile where lock mechanism is mounted on inside surface of stile rather than mortised).

### How to order

Please call a Dugmore & Duncan Sales Technician For Assistance

**2331 Series Deadbolt for Sliding Door Applications**



**For wood or metal sliding doors**

**Case**

Stainless steel. 1/2", 3-3/16" x 1-1/8".  
Also available in zinc-plated steel (MS1848)

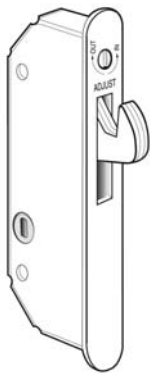
**Anti-Lift Bolt**

3-ply laminated stainless steel. Designed to withstand approximately one-half ton force, either horizontal or vertical. Stops both door-from-jamb prybar attacks and attempts to lift the door from its track.

**Function**

A compact lock to fit within very narrow sliding door stiles without compromising in any way the high degree of security these doors need. The sturdy stainless steel bolt has two important features not usually found in sliding door hardware. First, it is adjustable: a full 3/16" lengthening or shortening of bolt projection is possible by turning an exposed screw in the face of the lock. This can compensate for a considerable misalignment between door and jamb. Secondly, the MS1847 bolt is self-protecting: if the door is closed with bolt in locked position, the bolt will retract immediately on contact with the jamb, thus preventing damage or accidental lock-out.

**5017 Deadbolt for Sliding Door Applications**



**For wood stile sliding glass doors**

**Spindles**

Hardened steel, plated for corrosion resistance. First Dash number indicates spindle parallel or perpendicular to turn lever. Second Dash number indicates spindle Length.

**Turn Lever**

Zinc alloy. Trim finish RC130.

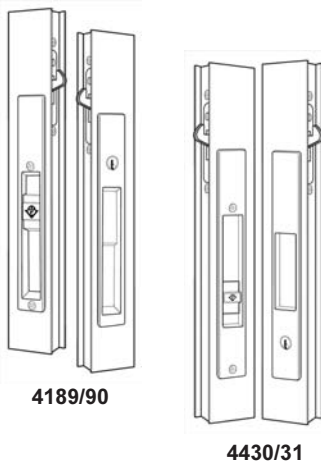
**Escutcheon**

Made of Steel. Trim finish in RC130.

**MS1850S Function**

Series 1000 turns are designed to operate Adams Rite MS1847 deadlocks and latches. 1000-11 and 1000-21 have a rectangular escutcheon for mounting directly on door. 1000-01 and 1000-02 are without escutcheon, designed for easy push-nut mounting to door pull or other trim plate.

**4189/90 & 4430/31 Flush Locksets for Sliding Door Applications**



**For close bypassing, stacked or pocket sliders**

**4189/4190 all metal**

For close bypassing, stacked or pocket metal sliders. Deadbolt similar to MS1847. 4189 has inside slide button operation only. 4190 has additional key cylinder outside.

**4430/4431 ABS plastic**

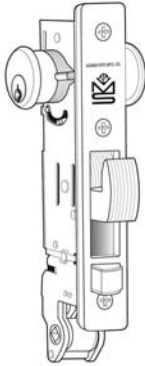
Similar to 4189/4190 and identical in size and stile prep. 4430 is inside operation only. 4431 has key cylinder outside. Finish: Satin Black ABS resin.

**How to order**

Please call a Dugmore & Duncan Sales Technician For Assistance

**MS+1890 Deadbolt & Latch for Swinging Door Applications**

**For Aluminum Stile Doors**



**Cylinder Backset**

Available in 31/32", 1-1/8" or 1-1/2".

**Case**

Steel with corrosion-resistant plating. 1" x 7-3/8" x depth.

**Latch Bolt**

5/8" x 5/8" with 7/16" throw. Zinc alloy with Delrin face for smooth, quiet action. Handing easily reversible. Bolt can be held fully retracted to allow door to be free swinging.

**Lock Bolt**

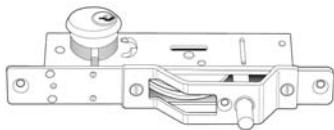
5/8" x 1-3/8" with 13/16" throw. Eight ply laminated stainless steel. Center ply has Alumina-Ceramic core to defeat any hacksaw attack, including rod-type "super" hacksaws. Hook shape repels prybar attempts.

**Armored Strike**

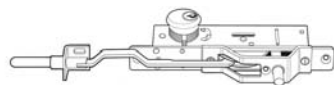
Satin stainless steel trim plate with steel mounting plate and dust box. Flat strike (shown) furnished. Also available for pairs of doors in radius shape, or flat with square corners for ANSI hollow metal jambs. Flat strikes also available with longer lip.

**MS1861 Bottom Rail Deadbolt for Swinging Door Applications**

**For Full Glass (Frameless) Doors**



**1861-01:** has vertical bolt only



**1861-02:** has vertical and horizontal bolt

**Case**

Steel with corrosion-resistant plating. 1" x 6" x 1-13/16".

**Bolts**

3/8" diameter. Stainless steel vertical threshold bolt has 13/16" throw. Hardened steel horizontal bolt has 1-1/8" throw.

**Strikes**

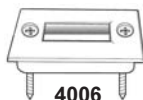
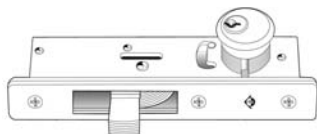
In metal installations, 7/16" drilled holes in threshold are required. For MS1861-02, drilled holes are also required in jamb or opposite door. For wood, metal plate with 7/16" hole must be provided for each bolt.

**Function**

Using the same overcenter/pivot locking mechanism as the basic MS® deadbolt, the MS1861 lies horizontally in the bottom rail of ultra-narrow stile doors, which have insufficient vertical space for a lock and tempered glass doors, which have no stile at all. The hardened steel cylindrical bolts allow simple drilled strike holes of a relatively small size to minimize the nuisance and danger presented by some threshold strikes in collecting debris and catching women's heels. MS1861-02 locks either single-leaf or paired doors.

**1830 Deadbolt for Swinging Door Applications**

**For Full Glass (Frameless) Doors**



**4006**

**Cylinder Height (Backset)**

31/32" and 1-1/8" only.

**Case**

Steel with corrosion-resistant plating. 1" x 6" x depth. Depth varies with cylinder height.

**Bolt**

15/32" x 5/8" x 2-1/8" with 5/8" throw. Six ply laminated steel with eight plies within case. Center ply has Alumina-Ceramic core to deter hacksaw attack.

**Strike**

4006 strike (shown) is optionally available, with stainless steel trimplate and plastic box.

**Function**

For bottom rail locking of ultra-narrow stile or tempered glass doors whose bottom rail (shoe) is too shallow for the MS1861 (page SW-5). Mechanism is that of the MS1850A Deadbolt, but with the bolt size reduced. This keeps the threshold strike opening to a practical minimum, avoiding collection of debris or snagging of spike-heeled shoes. Armor faceplate protects cylinder setscrews from tampering and keeps them from loosening.

**How to order**

**Please call a Dugmore & Duncan Sales Technician For Assistance**

**1870 Flushbolt for Swinging Door Applications**



**For aluminum stile doors**

**Cylinder Backset**  
31/32" or 1-1/8" only

**Cylinder Height**  
Standard length (cylinder center to retracted bolt tip) is 12" with 1.25" adjustment. Other lengths available on special order.

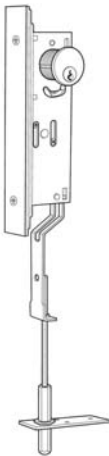
**Case**  
Steel with corrosion-resistant plating. 1" x 6" x depth.

**Bolt**  
Hexagonal 3/8" flat to flat, with 11/16" throw.  
Made of stainless steel

**Strike**  
1/2" diameter hole in metal threshold or header is suitable. For wood installations, 4005 strike is available.

**Function**  
Designed for use instead of conventional flip-lever operated flushbolts, the 1870 gives building management key control of the inactive leaf of paired doors. Prevents casual locking of the inactive leaf by children or other unauthorized persons. Uses same basic overcenter action mechanism as MS pivoted bolt locks.

**1870HM Flushbolt for Swinging Door Applications**



**For hollow metal doors**

**Cylinder Backset**  
1-1/4" only

**Cylinder Height**  
Standard length (cylinder center to door end) is 13-1/2". Other lengths available on special order.

**Case**  
Steel with corrosion-resistant plating.  
1" x 6" x 1-29/32".

**Bolt**  
Hexagonal 3/8" flat to flat, with 11/16" throw.  
Made of stainless steel

**Strike**  
2-1/4" x 15/16" strike is supplied.

**Function**  
Designed for use instead of conventional flip-lever operated flushbolts, the 1870HM gives building management key control of the inactive leaf of paired doors. Prevents casual locking of the inactive leaf by children or other unauthorized persons. Uses same basic overcenter action mechanism as MS pivoted bolt locks.

**1877 Flushbolt for Swinging Door Applications**



**For wood doors**

**Cylinder Backset**  
1-1/4" only

**Cylinder Height**  
Standard length (cylinder center to door end) is 13-1/2". Other lengths available on special order.

**Case**  
Steel with corrosion-resistant plating.  
1" x 6" x 1-29/32".

**Bolt**  
Hexagonal 3/8" flat to flat, with 11/16" throw.  
Made of stainless steel

**Strike**  
2-1/4" x 15/16" strike is supplied.

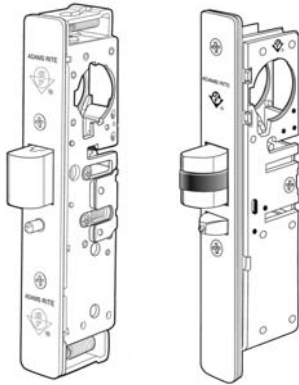
**Function**  
Designed for use instead of conventional flip-lever operated flushbolts, the 1877 gives building management key control of the inactive leaf of paired doors. Prevents casual locking of the inactive leaf by children or other unauthorized persons. Uses same basic overcenter action mechanism as MS pivoted bolt locks.

**How to order**

Please call a Dugmore & Duncan Sales Technician For Assistance

**4900/4510 Series Deadlatch for Swinging Door Applications**

**For Aluminum Stile Doors**



4900

4510

**4900 Function**

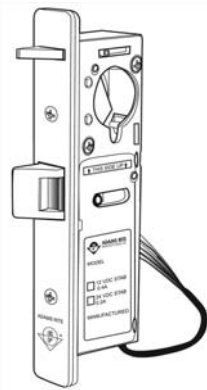
Flexibility of traffic control and installation is offered by the 4900 Series Deadlatches. A reverse turn of the key while bolt is held retracted retains the bolt, to allow two-way traffic for applications which require free entrance at certain times and exit-only at other times. Interchangeable, without stile modification, with any MS1850A or MS1850S deadbolt of same backset and faceplate shape. Also retrofits to existing 4500/4700 Deadlatch preparations. 1-3/4" minimum door thickness required.

**4510 Function**

Flexibility of traffic control during and after business hours is offered by 4510 Series Deadlatches. A reverse turn of the key while bolt is held retracted retains the bolt, to allow twoway traffic for hospitals, banks, stores and other buildings which require free entrance at certain times and exit-only at other times. Interchangeable, without stile modification, with any MS1850A or MS1850S deadbolt of same backset and faceplate shape. (They do not, however, provide the same maximum security level as the MS® Deadbolt.)

**4200 eLatch for Swinging Door Applications**

**For Aluminum Stile Doors**



**Cylinder Backset**

31/32" and 1-1/8"

**Case**

Steel with corrosion-resistant plating.  
15/16" x 5-13/16".

**Latch Bolt**

5/8" x 1" x 5/8" throw. Chrome plated brass.

**Auxiliary Bolt**

All metal. Deadlocks latch bolt to prevent "loiding" or case-knife entry.

**Function**

The 4200 eLatch combines mechanical locking hardware with electrified access control while working within standard aluminum entrance door preparations. Always operable from the inside via handle or paddle device. Entry via keyed mortise cylinder or access control element. Fail-secure lock with form "C" latch status monitor standard. Rated for continuous operation in either 12 VDC or 24 VDC versions. 1-3/4" minimum door thickness required.

**4781 Two- Point Paddle Latch for Swinging Door Applications**

**For Aluminum Stile Doors**



**Header Strike**

A flanged post installed on the header has generous location adjustment to allow for door misalignment, sag, bumpers, etc. Designed to prevent forced entry by bowing the door.

**Top Bolt**

Similar to door latches on some automobiles and aircraft, the U-shaped bolt wraps around the strike post to deadlock position, which also deadlocks the bottom bolt through a gear train at the center of the rod assembly.

**Paddle Dogging**

Turning hex screw in paddle escutcheon holds paddle down, leaving door free-swinging.

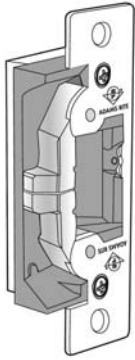
**Function**

Designed for paired outswinging narrow stile glass doors but also suitable for single doors. Instead of operating a conventional horizontal-throw latchbolt, the 4781 latches to header and threshold. This allows both door leaves to be "active". There is no need to pin one door with flushbolts or other devices. The paddles are a modified version of the 4591 and the concealed vertical rod mechanism is the same as used in Adams Rite's 8600 exit device. Note, however, that the 4781 is not intended to substitute for an exit device, which must have a door-spanning bar.

**How to order**

**Please call a Dugmore & Duncan Sales Technician For Assistance**

**7400/7401 Grade 1 Series Electric Strike**



**Faceplate**

1 1/4" x 4 7/8"  
7400: Flat  
7401: Radiused



**Case**

1 13/32" x 3 3/8" x 1 1/16"

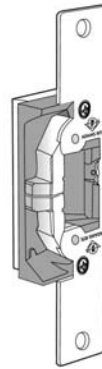
**Adjustable Strike Opening**

5/8" - 13/16" x 1 7/16" x 1/2"

**Application**

7400: AR Deadlatch, ARMortise Exit Device, Key-in-Knob or lever; Aluminum Jamb  
7401: AR Deadlatch Aluminum Stile

**7410/7411 Grade 1 Series Electric Strike**



**Faceplate**

7410: 1 7/16" x 7 15/16"  
7411: 1 7/16" x 10 1/4"



**Case**

1 13/32" x 3 3/8" x 1 1/16"

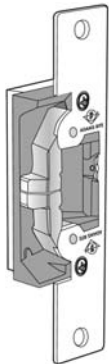
**Adjustable Strike Opening**

5/8" - 13/16" x 1 7/16" x 1/2"

**Application**

AR Deadlatch, Key-in-Knob or lever; Aluminum & Wood Jamb

**7430/7431 Grade 1 Series Electric Strike**



**Faceplate**

1 1/4" x 6 7/8"  
7430: Flat  
7431: Radiused



**Case**

1 13/32" x 3 3/8" x 1 1/16"

**Adjustable Strike Opening**

5/8" - 13/16" x 1 7/16" x 1/2"

**Application**

7430: AR Deadlatch: Aluminum Jamb  
7431: AR Deadlatch: Aluminum Stile

**7440 Grade 1 Series Electric Strike**



**Faceplate**

1 1/4" x 4 7/8"



**Case**

1 13/32" x 3 3/8" x 1 1/16"

**Adjustable Strike Opening**

5/8" - 13/16" x 1 7/16" x 1/2"

**Application**

AR Deadlatch, AR Mortise Exit Device & Key-in-Knob or Lever:: Hollow Metal& Wood Jamb

**74R1 Grade 1 Series Electric Strike**



**Mounting Plate/Housing**

1 3/4" x 9 x 11/16"



**Case**

1 13/32" x 3 3/8" x 1 41/64"

**Strike Opening**

5/8" x 1 7/16" x 9/16"

**Application**

Rim Panic Devices (By Other Manufacturers): Aluminum, Hollow Metal& Wood Jamb

**74R2 Grade 1 Series Electric Strike**



**Mounting Plate/Housing**

1 5/8" x 9 x 1/2"



**Case**

1 13/32" x 3 3/8" x 1 19/32"

**Strike Opening**

5/8" x 1 7/16" x 1/2"

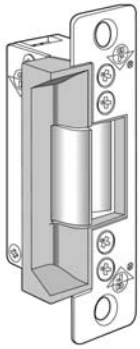
**Application**

Rim Panic Devices (By Other Manufacturers): Aluminum Jamb

**How to order**

Please call a Dugmore & Duncan Sales Technician For Assistance

**7100/7101 Grade 1 Series Electric Strike**



**Faceplate**

1 1/4" x 4 7/8"  
7100: Flat  
7101: Radiused

**Case**

1" x 3 3/8" x 1 5/8"

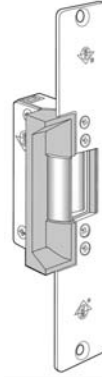
**Strike Opening**

5/8" x 1 7/16" x 1/2"

**Application**

7100: AR Deadlatch, Key-in-Knob or lever;  
Aluminum Jamb  
7101: AR Deadlatch: Aluminum Stile

**7110/7111 Grade 1 Series Electric Strike**



**Faceplate**

7110: 1 7/16" x 7 15/16"  
7111: 1 7/16" x 10 1/4"

**Case**

1" x 3 3/8" x 1 5/8"

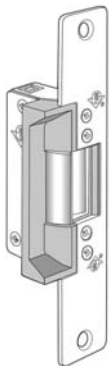
**Strike Opening**

5/8" x 1 7/16" x 1/2"

**Application**

AR Deadlatch, Key-in-Knob or lever;  
Aluminum & Wood Jamb

**7130/7131 Grade 1 Series Electric Strike**



**Faceplate**

1 1/4" x 6 7/8"  
7130: Flat  
7131: Radiused

**Case**

1" x 3 3/8" x 1 5/8"

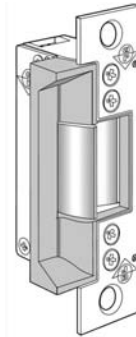
**Adjustable Strike Opening**

5/8" x 1 7/16" x 1/2"

**Application**

7130: AR Deadlatch: Aluminum Jamb  
7131: AR Deadlatch: Aluminum Stile

**7140/7240 Grade 1 Series Electric Strike**



**Faceplate**

1 1/4" x 4 7/8"



**Model: 7240**  
**Fire-Rated**  
**for 3 Hours**

**Case**

1" x 3 3/8" x 1 5/8"

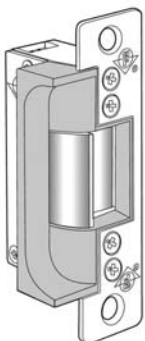
**Strike Opening**

7140: 5/8" x 1 7/16" x 1/2"  
7240: 5/8" x 1 7/16" x 9/16"

**Application**

7140: AR Deadlatch & Key-in-Knob or  
Lever: Hollow Metal & Wood Jamb  
7240: Key-in-Knob or Lever: Hollow Metal  
Jamb, **Fire-Rated for 3 Hours**

**7160 Grade 1 Series Electric Strike**



**Faceplate**

1 1/4" x 4 7/8"

**Case**

1" x 3 3/8" x 1 7/8"

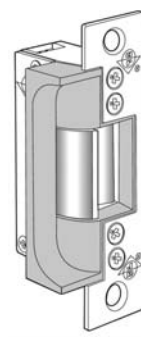
**Strike Opening**

5/8" x 1 7/16" x 5/8"

**Application**

Mortise Lock (Without Deadbolt): Aluminum  
Jamb

**7170/7270 Grade 1 Series Electric Strike**



**Faceplate**

1 1/4" x 4 7/8"



**Model: 7270**  
**Fire-Rated**  
**for 3 Hours**

**Case**

1" x 3 3/8" x 1 7/8"

**Strike Opening**

7170: 5/8" x 1 7/16" x 5/8"  
7270: 5/8" x 1 7/16" x 5/8"

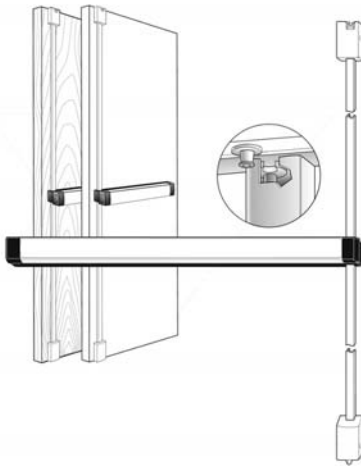
**Application**

7170: Mortise Lock (Without Deadbolt):  
Hollow Metal & Wood Jamb  
7270: Mortise Lock (Without Deadbolt):  
Hollow Metal Jamb  
**Fire-Rated for 3 Hours**

**How to order**

**Please call a Dugmore & Duncan Sales Technician For Assistance**

**3100/8100 Surface Vertical Rod Exit Devices**

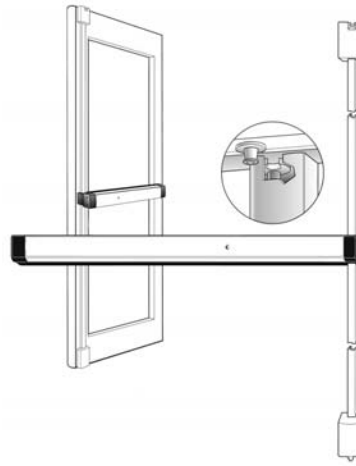


**For wood or metal steel doors**

- 3100: Fire-Rated
- 3100T: with Top Rod only on steel doors
- 3100W: with Top Rod only on wood doors
- 8100: Life-safety
- 8100T: with Top Rod only

 **Model: 3100**  
**Fire-Rated for 3 Hours**

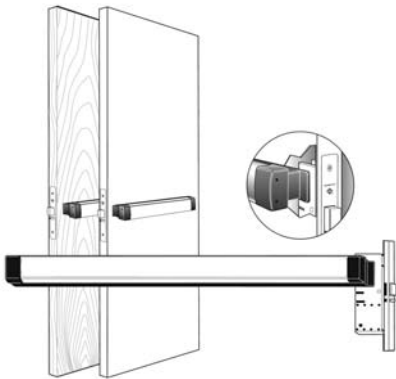
**8200 Surface Vertical Rod Exit Device**



**For aluminum stile glass doors**

- 8200: Life-safety

**3300/8300 Mortise Type Exit Device**

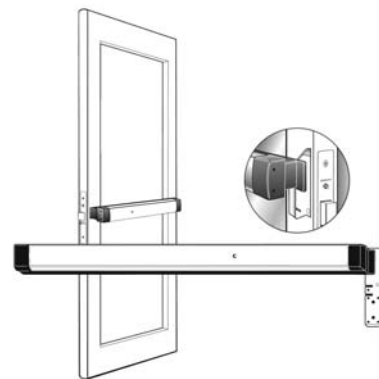


**For wood or hollow steel doors**

- 3300: Fire-Rated
- 8300: Life-safety

 **Model: 3300**  
**Fire-Rated for 3 Hours**

**8400 Mortise Type Exit Device**

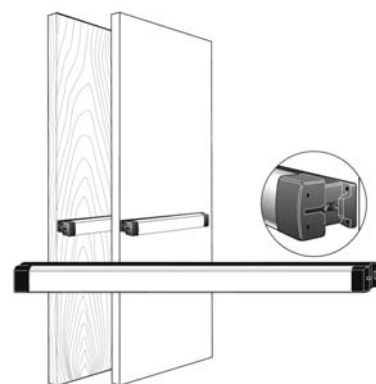


**For aluminum stile glass doors**

- 8400: Life-safety
- 8475: Mid-panel\*

\*Requires special door construction. Consult factory.

**3700/8700 Rim Mounted Exit Device**

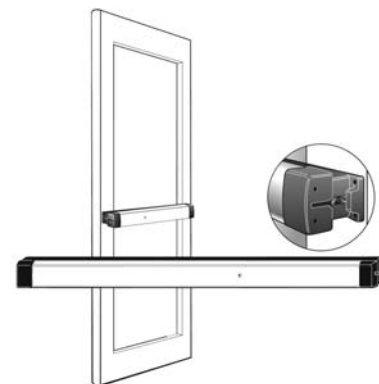


**For wood or hollow steel doors**

- 3700: Fire-Rated
- 8700: Life-safety

 **Model: 3700**  
**Fire-Rated for 3 Hours**

**8800 Rim Mounted Exit Device**



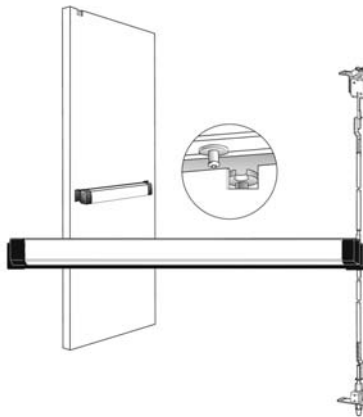
**For aluminum stile glass doors**

- 8800: Life-safety

**How to order**

Please call a Dugmore & Duncan Sales Technician For Assistance

**3600/8500 Concealed Vertical Rods**

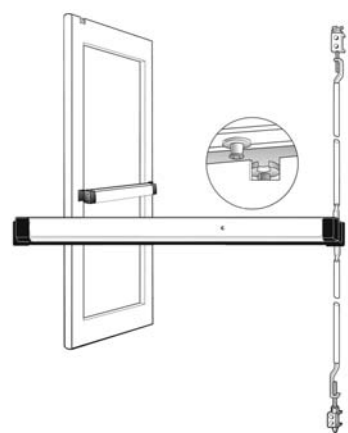


**For hollow steel doors**

- 3600:** Fire-Rated
- 3600T:** with Top Rod only
- 8500:** Life-safety
- 8500T:** with Top Rod only

**Model: 3600**  
**Fire-Rated for 3 Hours**

**8600 Concealed Vertical Rods**

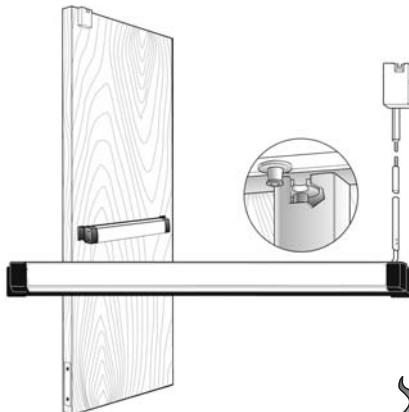


**For aluminum stile glass doors**

- 8600:** Life-safety
- 8675:** Mid-panel\*

\*Requires special door construction. Consult factory.

**3900/8900 Concealed Vertical Rods**

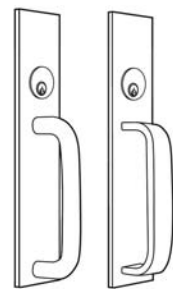


**For wood doors. Top rod only device with latch housing**

- 3900:** Fire-Rated
- 3900:** Life-safety

**Model: 3900**  
**Fire-Rated for 3 Hours**

**3001/3002 Fixed Pull Entry Trim**

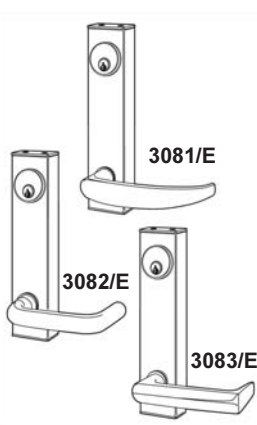


**For hollow metal and wood doors only.**

US32D Satin Stainless Steel pulls have 2-3/4" x 1-1/2" escutcheon. Order with or without cylinder hole.

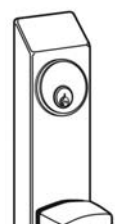
- 3001:** Tubular pull
- 3002:** Flat cross-section

**3081/3082/3083 Clutch Entry Trim**



The 3080 Series provides outside activation of narrow stile aluminum, wood or hollow metal doors that have any type of Adams Rite Exit Device. Breakaway clutching mechanism protects the locked handle from vandalism or forced entry, in either direction. This also makes the trim rehandable in the field. All models share the same core components, so handles can be changed without having to replace the entire trim. Solid construction meets Grade 1 standards. An electrified version is also available for integrating with card readers, key-pads and other access control devices.

**8066 Thumbturn Entry Trim**



Thumbturn and any standard mortise cylinder with MS cam allow entry control in two modes: latched, but operable by thumbturn, or latched with entry by key only with 8067 Nightlatch Kit.

**How to order**

**Please call a Dugmore & Duncan Sales Technician For Assistance**