

HES® (Hanchett Entry Systems, Inc.) is a leader in the development of electromechanical locking devices. HES' product lines include medium to heavy-duty electric strikes that dominate the market in quality and performance, a variety of electric locks and door holders, and a comprehensive line of security accessories.

|                               |           |
|-------------------------------|-----------|
| RF5010/RF5210                 | 101 - 102 |
| 1006 Series                   | 103 - 104 |
| 1006 Series Faceplate Options | 105 - 108 |
| 2005 SMART Pac II             | 109       |
| 2009P & 2006P                 | 110       |
| 4500 Series                   | 111 - 112 |
| 5000 Series                   | 113 - 114 |
| 5200 Series                   | 115 - 116 |
| 5900 Series                   | 117 - 118 |
| 7000 Series                   | 119 - 120 |
| 7500 Series                   | 121 - 122 |
| 9500 Series                   | 123 - 124 |
| 9600 Series                   | 125 - 126 |
| 660 Series                    | 127 - 128 |

**RF5010/RF5210 Series Electric Strike with Integrated Prox Reader****Applications**

Introducing the first-ever electric strike with an integrated proximity card reader. Combining the access control of an HID® Prox reader with the physical security of a Grade 1 electric strike, the RF5010-IA & RF5210-IA series encompasses everything in the frame for faster installation and superior aesthetics.

**RF5010-IA**

Designed to work with any Weigand-compatible controller, the RF5010-IA is a single unit with an internal antenna, in outswing applications accommodating 5/8" latchbolts in outswing applications.

**RF5210-IA**

Designed to work with any Weigand-compatible controller, the RF5210-IA is a single unit with an internal antenna and in-frame horizontal adjustability, accommodating 3/4" latchbolts in outswing applications.



**RF5010-IA shown  
with 501 option**

**Specifications**

- ANSI/BHMA 156.31, Grade 1
- FCC Part 15 (USA and Canada)
- Patented and patent pending

**Standard Features**

- Integrated HID Proximity Card reader
- Internal antenna for outswing applications
- Interfaces with any Wiegand-compatible access control system
- Recognizes HID 26-39 bit formats
- Supports HID 125kHz credentials
- Non-handed
- Accommodates 1/2"-5/8" latchbolt (5/8" with 1/8" door gap)
- Includes door position switch, latchbolt monitor, LED and buzzer
- Appropriate for 32°F-150°F (0°C-65°C) and 5-95% humidity (non-condensing)
- Lifetime limited warranty

**Cable**

- 500 ft. max. distance to host
- 18-22 AWG recommended (stranded and shielded)

**Frame application**

- Steel
- Aluminum
- Wood

**Electrical****Reader Module**

- 12 VDC (+/- 20%)
- 124 mA Max. @ 12 VDC

**Electric Strike**

- 12 VDC (+/- 10%)
- 240 mA Max. @ 12 VDC

**Finishes**

- 630 - Satin stainless steel finish
- 605 - Bright brass finish
- 606 - Satin brass finish
- 612 - Satin bronze finish
- 613 - Bronze toned finish
- 629 - Bright stainless steel finish
- BLK - Black finish

Hardwiring Made Easy™



Learn more on page 3

**How to order****RF5010-IA**

Model

**501**

Faceplate Option

**32D**

Finish

## RF5010/RF5210 Series Electric Strike with Integrated Prox Reader

### Applications

Introducing the first-ever electric strike with an integrated proximity card reader. Combining the access control of an HID® Prox reader with the physical security of a Grade 1 electric strike, the RF5010-EA & RF5210-EA series encompasses everything in the frame for faster installation and superior aesthetics.

### RF5010-EA

Designed to work with any Weigand-compatible controller, the RF5010-EA features an external antenna, for flexible location in either inswing or outswing applications, and accommodates 5/8" latchbolts.

### RF5210-EA

Designed to work with any Weigand-compatible controller, the RF5210-EA offers in-frame horizontal adjustability, as well as an external antenna, for flexible location, and accommodates 3/4" latchbolts in either inswing or outswing applications.

### Faceplate Options

**501** – For use with cylindrical locksets in ANSI metal jambs. For use with latchbolts up to 1/2" throw. Metal frames.

**Compatible Locksets:** Accurate, Adams Rite, Arrow, Baldwin, Best, Corbin, Dexter, Dominion, Guard, Falcon, Harloc, Kwikset, Lockwood, Lori, LSDA, Marks, National, Omnia, PDQ, Parker, Russwin, Sargent, Schlage, Taco, Unican, Weiser, Weslock, Yale

**501A** - For use with cylindrical locksets. For use with latchbolts up to 1/2" throw. Includes universal mounting tabs. Aluminum frames.

**Compatible Locksets:** Accurate, Adams Rite, Arrow, Baldwin, Best, Corbin, Dexter, Dominion, Guard, Falcon, Harloc, Kwikset, Lockwood, Lori, LSDA, Marks, National, Omnia, PDQ, Parker, Russwin, Sargent, Schlage, Taco, Unican, Weiser, Weslock, Yale

**501B** - For use with cylindrical locksets. For use with latchbolts up to 1/2" throw. Includes universal mounting tabs. Aluminum doors and frames with radiused front.

**Compatible Locksets:** Accurate, Adams Rite, Arrow, Baldwin, Best, Corbin, Dexter, Dominion, Guard, Falcon, Harloc, Kwikset, Lockwood, Lori, LSDA, Marks, National, Omnia, PDQ, Parker, Russwin, Sargent, Schlage, Taco, Unican, Weiser, Weslock, Yale

**502** - For use with cylindrical locksets. For use with latchbolts up to 1/2" throw. Includes universal mounting tabs. Wood or aluminum frames.

**Compatible Locksets:** Accurate, Adams Rite, Arrow, Baldwin, Best, Corbin, Dexter, Dominion, Guard, Falcon, Harloc, Kwikset, Lockwood, Lori, LSDA, Marks, National, Omnia, PDQ, Parker, Russwin, Sargent, Schlage, Taco, Unican, Weiser, Weslock, Yale



**RF5010-EA shown with 501 option**

**503** - For use with cylindrical locksets. For use with latchbolts up to 1/2" throw. Includes universal mounting tabs. Aluminum frames.

**Compatible Locksets:** Accurate, Adams Rite, Arrow, Baldwin, Best, Corbin, Dexter, Dominion, Guard, Falcon, Harloc, Kwikset, Lockwood, Lori, LSDA, Marks, National, Omnia, PDQ, Parker, Russwin, Sargent, Schlage, Taco, Unican, Weiser, Weslock, Yale

**503B** - For use with cylindrical locksets. For use with latchbolts up to 1/2" throw. Includes universal mounting tabs. Aluminum doors and frames with radiused front.

**Compatible Locksets:** Accurate, Adams Rite, Arrow, Baldwin, Best, Corbin, Dexter, Dominion, Guard, Falcon, Harloc, Kwikset, Lockwood, Lori, LSDA, Marks, National, Omnia, PDQ, Parker, Russwin, Sargent, Schlage, Taco, Unican, Weiser, Weslock, Yale

**504** - For use with cylindrical locksets. For use with latchbolts up to 1/2" throw. Four point mounting for wood installations. Wood frames.

**Compatible Locksets:** Accurate, Adams Rite, Arrow, Baldwin, Best, Corbin, Dexter, Dominion, Guard, Falcon, Harloc, Kwikset, Lockwood, Lori, LSDA, Marks, National, Omnia, PDQ, Parker, Russwin, Sargent, Schlage, Taco, Unican, Weiser, Weslock, Yale

Hardwiring Made Easy®



Learn more on page 3

### How to order

**RF5010-EA**

Model

**501**

Faceplate Option

**32D**

Finish

## 1006 Series Electric Strikes

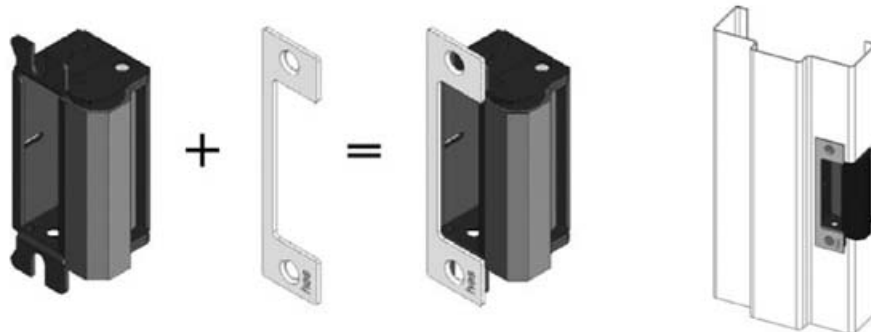
### Applications

The 1006 series is the strongest and most versatile electric strike available. It meets or exceeds every standard developed for electric strikes. With 27 faceplate options, the 1006 can accommodate virtually every type of lockset on the market. The 1006 features an innovative dual interlocking plunger design and heavy-duty, all stainless steel construction.

Tested to exceed 3,000 lbs. of static strength, 350 ft. lbs. of dynamic strength and factory tested to exceed 1,000,000 cycles of operation; the 1006 is in a class of its own.



shown with J-option



### Specifications

- UL 10C, 3 hour fire-rated (fail secure only)
- ANSI A250.13-2003 windstorm listed
- UL 1034, burglary-resistant listed
- ANSI/BHMA 156.31, Grade 1
- NFPA-252 fire door conformant
- ASTM-E152 fire door conformant
- MEA New York City accepted
- Florida Building Code approved
- Patented design

### Frame application

- Steel
- Aluminum
- Wood

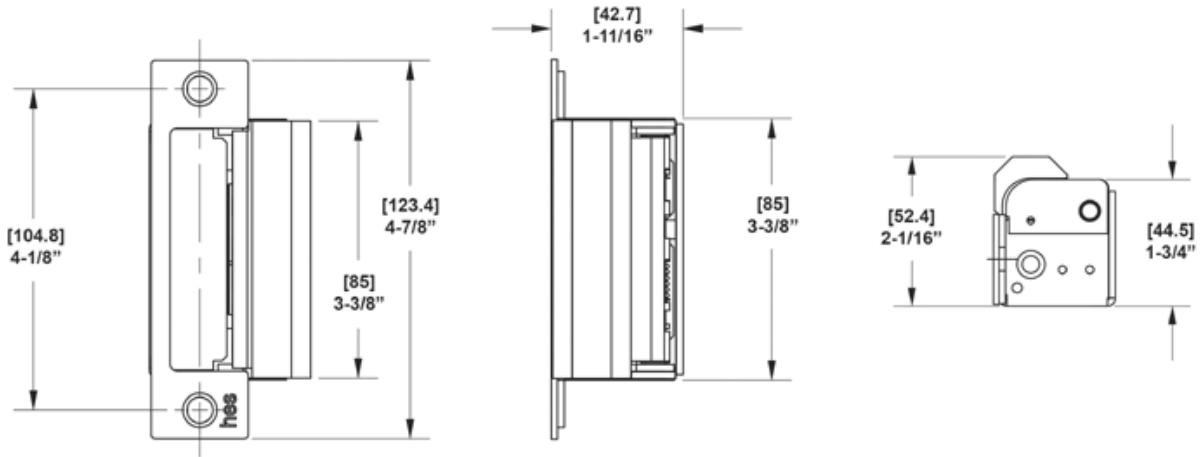
### Electrical (continuous duty)

- 45 Amps @ 12VDC
- 25 Amps @ 24VDC

### How to order

|             |                  |            |            |
|-------------|------------------|------------|------------|
| <b>1006</b> | <b>KM</b>        | <b>32D</b> | <b>LBM</b> |
| Model       | Faceplate Option | Finish     | Options    |

**1006 Series Electric Strikes**



**Standard Features**

- Stainless steel construction
- Tamper resistant
- Static strength 3070 lbs.
- Dynamic strength 350 ft-lbs.
- Endurance 1,000,000 cycles
- Fail secure (standard)
- Dual voltage 12 or 24VDC Continuous Duty
- Non-handed
- Internally mounted solenoid
- Accommodates up to 1" deadbolt
- Plug-in connector
- Trim enhancer
- Five year limited warranty

**Optional Features**

- Fail Safe
- LBM - Latchbolt monitor
- LBSM - Latchbolt strike monitor
- 27 interchangeable faceplate options

**Accessories**

- 2001 - Plug-in bridge rectifier
- 2005 - SMART Pac™ II
- 2006P - Plug-in buzzer
- 2009 - Plug-in LED
- 154 - MTK Metal template kit
- 2004 - Electrolynx connector

**Finishes**

- 630 - Satin stainless steel
- 605 - Bright brass
- 606 - Satin brass
- 612 - Satin bronze
- 613 - Bronze toned
- 651 - Polished chrome
- BLK - Black nylon coated

630 is the standard finish; all others are considered special finishes and may have a longer lead time.

Hardwiring Made Easy®



Learn more on page 3

**How to order**

**1006**

Model

**KM**

Faceplate Option

**32D**


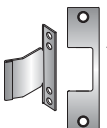






Finish

**LBM**

Options

**1006 Series Electric Strikes Faceplate Options**

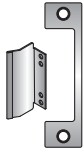

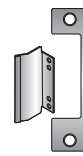
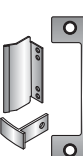
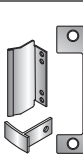
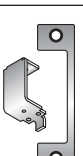
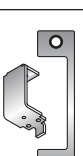

HES®

|                                                                                     |           |                                                                                                                                                                                                                                                                                                                                                            |
|-------------------------------------------------------------------------------------|-----------|------------------------------------------------------------------------------------------------------------------------------------------------------------------------------------------------------------------------------------------------------------------------------------------------------------------------------------------------------------|
|    | <b>J</b>  | For use with cylindrical locksets up to 3/4"throw and all locksets with center-lined bolts.<br><b>Compatible Locksets:</b> Accurate, Adams Rite, Arrow, Baldwin, Best, Corbin, Dexter, Dominion, Guard, Falcon, Harloc, Kwikset, Lockwood, Lori, LSDA, Marks, National, Omnia, PDQ, Parker, Russwin, Sargent, Schlage, Taco, Unican, Weiser, Weslock, Yale |
|    | <b>E</b>  | For use with Corbin/Russwin Security Bolt, Weiserbolt, and normally extended 1" tubular deadbolts.<br><b>Compatible Locksets:</b> Adams Rite, Arrow, Best, Falcon, PDQ, Sargent, Yale                                                                                                                                                                      |
|    | <b>K</b>  | For use with mortise locksets with a deadlatch positioned above the latchbolt.<br><b>Compatible Locksets:</b> Accurate, Arrow, Baldwin, Marks, PDQ                                                                                                                                                                                                         |
|    | <b>KD</b> | For use with mortise locksets with a deadlatch positioned above the latchbolt.<br><b>Compatible Locksets:</b> Sargent (7700 & 8100), Schlage, Yale                                                                                                                                                                                                         |
|  | <b>KM</b> | For use with mortise locksets with a deadlatch positioned below the latchbolt.<br><b>Compatible Locksets:</b> Best*, Corbin/Russwin*, Falcon (1992 M Series), Sargent (7800, 8200 & 9200 series) *Deadlatch is positioned above the latchbolt.                                                                                                             |
|  | <b>N</b>  | For use with mortise locksets where the deadbolt is used for night-latch function only.<br><b>Compatible Locksets:</b> Accurate, Arrow, Baldwin, Best, Corbin/Russwin, Marks, Omnia, PDQ                                                                                                                                                                   |
|  | <b>ND</b> | For use with mortise locksets where the deadbolt is used for night-latch function only.<br><b>Compatible Locksets:</b> Sargent (7700 & 8100 series), Schlage, Yale                                                                                                                                                                                         |
|  | <b>NM</b> | For use with mortise locksets with a deadlatch positioned below the latchbolt and where the deadbolt is used for night-latch function only.<br><b>Compatible Locksets:</b> Corbin/Russwin, Falcon, Sargent (7800, 8200 & 9200 series)                                                                                                                      |

**How to order**  
Faceplate Only

|             |           |            |
|-------------|-----------|------------|
| <b>1006</b> | <b>KM</b> | <b>32D</b> |
| Model       | Faceplate | Finish     |

**1006 Series Electric Strikes Faceplate Options**


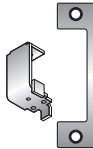
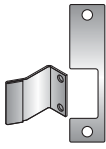



|                                                                                     |           |                                                                                                                                                                                                               |
|-------------------------------------------------------------------------------------|-----------|---------------------------------------------------------------------------------------------------------------------------------------------------------------------------------------------------------------|
|    | <b>A</b>  | For use with mortise locksets with a normally extended 1" deadbolt without a deadlatch.<br><b>Compatible Locksets:</b> Accurate, Arrow, Baldwin, Best, Marks, Omnia, PDQ                                      |
|    | <b>AD</b> | For use with mortise locksets with a normally extended 1" deadbolt without a deadlatch.<br><b>Compatible Locksets:</b> Sargent (7700 & 8100 series), Schlage, Yale                                            |
|    | <b>AM</b> | For use with mortise locksets with a normally extended 1" deadbolt and a deadlatch positioned below the latchbolt.<br><b>Compatible Locksets:</b> Corbin/Russwin, Falcon, Sargent (7800, 8200, & 9200 series) |
|   | <b>T</b>  | For use with mortise locksets with a normally extended 1" deadbolt and a center-lined deadlatch.<br><b>Compatible Locksets:</b> Accurate, Arrow, Baldwin, Marks, Omnia, PDQ                                   |
|  | <b>TD</b> | For use with mortise locksets with a normally extended 1" deadbolt and a center-lined deadlatch.<br><b>Compatible Locksets:</b> Sargent (7700 & 8100 series), Schlage, Yale                                   |
|  | <b>H</b>  | For use with mortise locksets with a 1" deadbolt without a deadlatch.<br><b>Compatible Locksets:</b> Accurate, Arrow, Baldwin, Corbin/Russwin, Marks, Omnia, PDQ                                              |
|  | <b>HD</b> | For use with mortise locksets with a 1" deadbolt without a deadlatch.<br><b>Compatible Locksets:</b> Sargent (7700 & 8100 series), Schlage, Yale                                                              |
|  | <b>HM</b> | For use with mortise locksets with a 1" deadbolt with a deadlatch positioned below the latchbolt.<br><b>Compatible Locksets:</b> Falcon, Sargent (7800, 8200, & 9200 series)                                  |

**How to order**  
Faceplate Only

|             |           |            |
|-------------|-----------|------------|
| <b>1006</b> | <b>KM</b> | <b>32D</b> |
| Model       | Faceplate | Finish     |

**1006 Series Electric Strikes Faceplate Options**



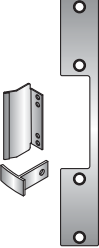

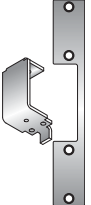
HES®

|                                                                                     |            |                                                                                                                                                                                                                                                                                                                                                       |
|-------------------------------------------------------------------------------------|------------|-------------------------------------------------------------------------------------------------------------------------------------------------------------------------------------------------------------------------------------------------------------------------------------------------------------------------------------------------------|
|    | <b>HT</b>  | For use with ASSA model 504 mortise lockset with two latchbolts and a center deadlatch.<br><b>Compatible Locksets:</b> ASSA                                                                                                                                                                                                                           |
|    | <b>HTD</b> | For use with mortise locksets with a 1" deadbolt and a center-lined deadlatch.<br><b>Compatible Locksets:</b> Sargent (7700 & 8100 series), Schlage, Yale                                                                                                                                                                                             |
|    | <b>R</b>   | For use with a hookbolt up to 1" throw.<br><b>Compatible Locksets:</b> Adams Rite                                                                                                                                                                                                                                                                     |
|   | <b>Z</b>   | For use with unit and mono locks.<br><b>Compatible Locksets:</b> Unican                                                                                                                                                                                                                                                                               |
|  | <b>J-2</b> | For use with cylindrical locksets with up to a 3/4" throw, in wood frame applications.<br><b>Compatible Locksets:</b> Accurate, Adams Rite, Arrow, Baldwin, Best, Corbin, Dexter, Dominion, Guard, Falcon, Harloc, Kwikset, Lockwood, Lori, LSDA, Marks, National, Omnia, PDQ, Parker, Russwin, Sargent, Schlage, Taco, Unican, Weiser, Weslock, Yale |
|  | <b>K-2</b> | For use with mortise locksets with a deadlatch positioned above the latchbolt, in wood frame applications.<br><b>Compatible Locksets:</b> Accurate, Arrow, Baldwin, Marks, PDQ                                                                                                                                                                        |

**How to order**  
Faceplate Only

|             |           |            |
|-------------|-----------|------------|
| <b>1006</b> | <b>KM</b> | <b>32D</b> |
| Model       | Faceplate | Finish     |

**1006 Series Electric Strikes Faceplate Options**

|                                                                                     |                    |                                                                                                                                                                                                                                                                                          |
|-------------------------------------------------------------------------------------|--------------------|------------------------------------------------------------------------------------------------------------------------------------------------------------------------------------------------------------------------------------------------------------------------------------------|
|    | <p><b>KM-2</b></p> | <p>For use with mortise locksets with a deadlatch positioned below the latchbolt, in wood frame applications.<br/> <b>Compatible Locksets:</b> Best*, Corbin/Russwin*, Falcon, Sargent (7800, 8200 &amp; 9200 series)<br/>                 *Deadlatch positioned above the latchbolt</p> |
|    | <p><b>N-2</b></p>  | <p>For use with mortise locksets where the deadbolt is used for night-latch function only, in wood frame applications.<br/> <b>Compatible Locksets:</b> Accurate, Arrow, Baldwin, Marks, Omnia, PDQ</p>                                                                                  |
|   | <p><b>T-2</b></p>  | <p>For use with mortise locksets with a normally extended 1" deadbolt and a center-lined deadlatch, in wood frame applications.<br/> <b>Compatible Locksets:</b> Accurate, Arrow, Baldwin, Marks, Omnia, PDQ</p>                                                                         |
|  | <p><b>A-2</b></p>  | <p>For use with mortise locksets with a normally extended 1" deadbolt without a deadlatch, in wood frame applications.<br/> <b>Compatible Locksets:</b> Accurate, Arrow, Baldwin, Corbin/Russwin, Marks, Omnia, PDQ</p>                                                                  |
|  | <p><b>H-2</b></p>  | <p>For use with mortise locksets with a 1" deadbolt without a deadlatch, in wood frame applications.<br/> <b>Compatible Locksets:</b> Accurate, Arrow, Baldwin, Marks, Omnia, PDQ</p>                                                                                                    |

**How to order**  
Faceplate Only

|       |           |        |
|-------|-----------|--------|
| 1006  | KM        | 32D    |
| Model | Faceplate | Finish |

**2005 SMART Pac II****Applications**

The 2005 SMART Pac II™ is an in-line power control that is able to receive input voltages from 12 to 32V AC or DC. The built-in bridge rectifier provides 12 or 24VDC output. Under continuous duty operation, the output VDC is reduced by 25% to extend the life of the electric strike. The SMART Pac II™ includes an in-line fuse, MOV to protect against possible inrush and reverse surges, and a 2-8 second adjustable timer.

**Model 2005****Standard Features**

- Accepts wide range of input voltage: 12-32 volts AC or DC.
- Selectable 12 or 24 volt DC output options.
- Built-in bridge rectifier
- Built-in surge protection / voltage regulation
- Operates in Fail-Secure and Fail-Safe modes.
- Activation timer: keeps strike energized for set period of time, adjustable from 2-8 seconds
- Continuous duty timer: reduces initial voltage by 25% after set period of time, adjustable from 2-8 seconds, provides cooler more efficient operation of strike
- Extends the warranty of all HES brand electric strikes

**How to order****2005**

Model

## Model 2009P

### Applications

Clearly see when your electric strike is activated by adding this plug-in LED light to your application.



**Visible Operation Indicator  
Model 2009P**

### Compatible With:

- 1006 Series
- 4500 Series
- 5000 Series
- 5200 Series
- 7000 Series
- 7400 Series
- 7500 Series
- 9500 Series
- 9600 Series

## Model 2006P

### Applications

Need to know when people are entering? With the addition of a plug-in buzzer, you'll hear an audible sound every time the strike is activated. An easy way to add security to your access control system.



**Plug-In Buzzer  
Model 2006P**

### Compatible With:

- 1006 Series
- 4500 Series
- 5000 Series
- 5200 Series
- 7000 Series
- 7400 Series
- 7500 Series
- 9500 Series
- 9600 Series

## How to order

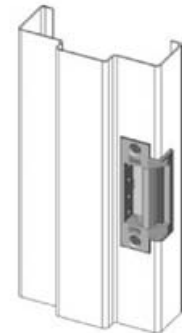
**2009P**

Model

## 4500 Series Electric Strikes

### Applications

The 4500 series is the first electric strike designed for installation in 2" UL 10C fire-rated frames with 1/2" drywall penetration. Based on the design of the popular 5000 series, the 4500 electric strike features a low profile 1-3/8" depth, heavy-duty cast stainless steel construction and horizontal adjustment for simple installation. Its strength is derived from a unique keeper pin locking design, enabling the 4500 to exceed the ratings of the frame, door and locking hardware. Designed for use with cylindrical and mortise locksets up to a 3/4" throw.



Specially designed to accommodate 2" fire rated frames

### Specifications

- UL 10C fire rated, 3 hour (fail secure only)
- CAN4-S104 (ULC-S104) fire door conformant
- WHI fire door listed
- UL 1034 burglary-resistant
- ANSI/BHMA 156.31, Grade 1
- NFPA-252 fire door conformant
- ASTM-E152 fire door conformant
- California Fire Marshall Listed
- UBC-7-2-94, Uniform Building Code
- Patented design

### Frame application

- Steel
- Aluminum
- Wood

### Electrical (continuous duty)

- 45 Amps @ 12VDC
- 25 Amps @ 24VDC
- DC continuous duty/AC intermittent duty

NOTE: Relocation of the strike prep may be required for Schlage L Series and Yale 8700 mortise locks.

## How to order

**4500**

Model

**630**

Finish

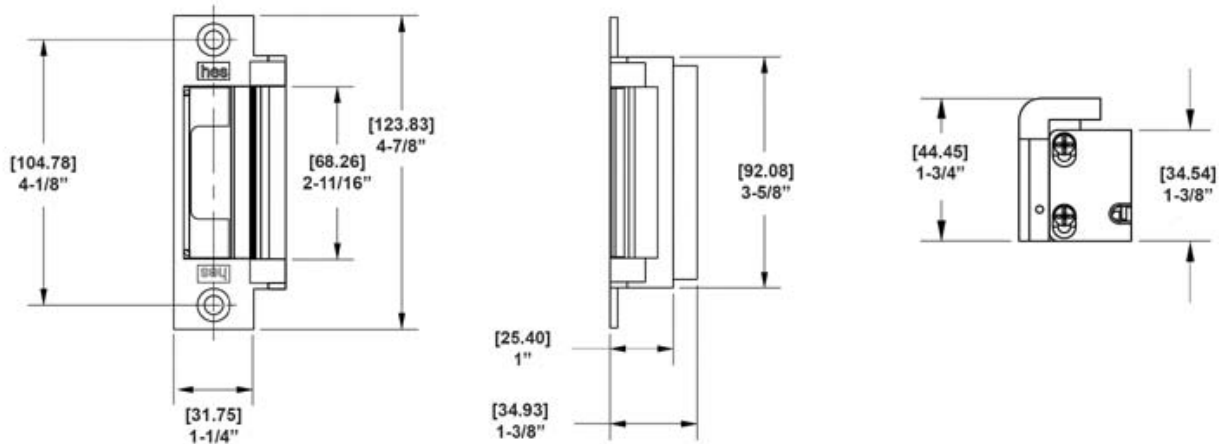
**fail safe**

Options

**LBM**

Options

**4500 Series Electric Strikes**



**Standard Features**

- Stainless steel construction
- Tamper resistant
- Static strength 3,000 lbs.
- Dynamic strength 70 ft-lbs.
- Endurance 500,000 cycles
- Dual voltage 12 or 24 VAC/VDC
- Horizontal adjustment
- Non-handed
- Internally mounted solenoid
- Accommodates up to a 3/4" latchbolt
- Strike body depth 1-3/8"
- Plug-in connector
- Trim enhancer
- Five year limited warranty

**Optional Features**

- Fail safe
- LBM - Latchbolt monitor
- LBSM - Latchbolt strike monitor
- Filler block - 7/16"
- Extended lip faceplate (1/2", 1", 2")

Hardwiring Made Easy™



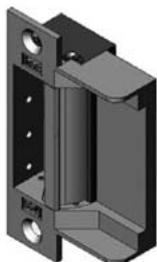
Learn more on page 3

**Accessories**

- 2001 - Plug-in bridge rectifier
- 2005 - SMART Pac™ II
- 2006P - Plug-in buzzer
- 2009P - Plug-in LED
- 154-MTK Metal template kit
- 2004 - Electrolynx connector

**Finishes**

- 630 - Satin stainless steel
- 605 - Bright brass
- 606 - Satin brass
- 612 - Satin bronze
- 613 - Bronze toned
- 651 - Polished chrome



*extended lip faceplate available in 1/2", 1" and 2" versions.*

630 is the standard finish; all others are considered special finishes and may have a longer lead time.

**How to order**

|             |                  |            |            |
|-------------|------------------|------------|------------|
| <b>1006</b> | <b>KM</b>        | <b>32D</b> | <b>LBM</b> |
| Model       | Faceplate Option | Finish     | Options    |

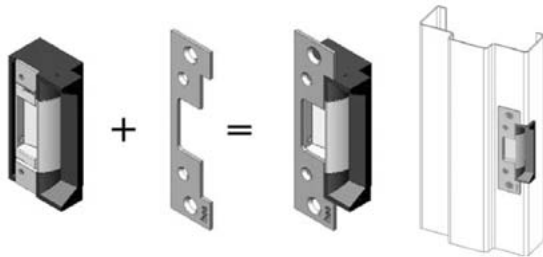
## 5000 Series Electric Strikes

### Applications

The 5000 series is a compact, high performance electric strike designed for low profile openings where there is limited space behind the jamb. This includes narrow style aluminum jambs and jambs with protruding glass inside. The field selectable fail secure/fail safe unit is easy to install and accommodates 5/8" latchbolts.



shown with 501-option



We offer several types of faceplate options to accommodate your application. Faceplate options sold separately.

### Specifications

- UL 1034, burglary-resistant listed
- ANSI/BHMA 156.31, Grade 1
- MEA New York City accepted
- Patented design

### Frame application

- Steel
- Aluminum
- Wood

### Electrical

- .24 Amp @ 12VDC
- .12 Amp @ 24VDC
- DC continuous duty/AC intermittent duty

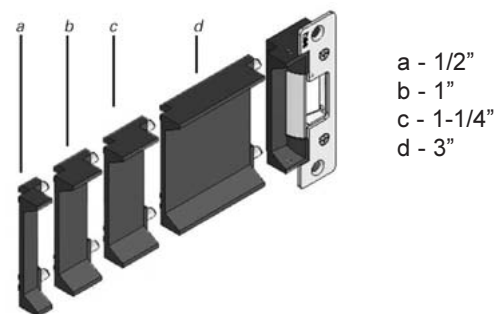
### Optional Features

- LBM - Latchbolt monitor
- Four "press fit" stackable lip extensions

### Standard Features

- Tamper resistant
- Static strength 1,500 lbs.
- Dynamic strength 70ft-lbs.
- Endurance rating 500,000 cycles
- Field selectable fail secure/ fail safe
- Dual voltage 12 or 24 VAC/VDC
- Non-handed
- Internally mounted solenoid
- Accommodates up to 5/8" latchbolt
- Strike body depth 1-1/16"
- Plug-in connector
- Trim enhancer included
- Five year warranty

"press fit" stackable lip extensions



## How to order

**5000**

Model

**501A**

Faceplate Option

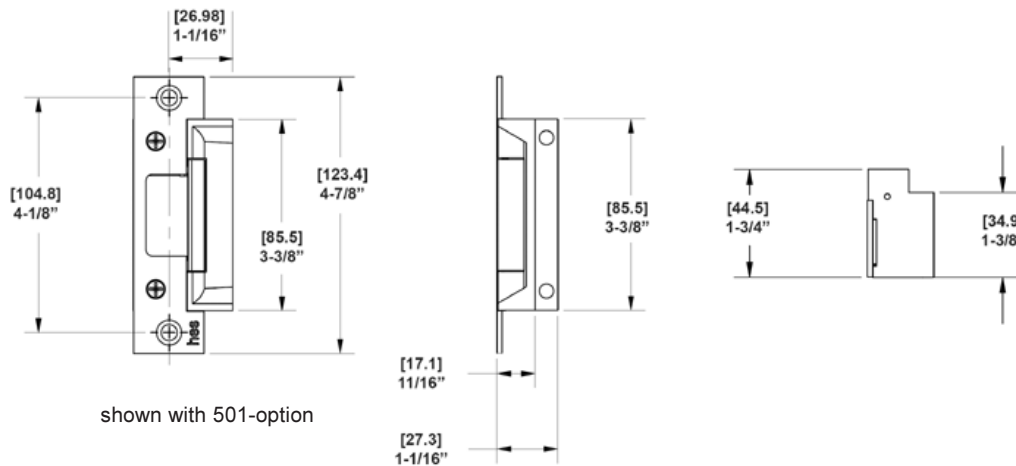
**630**

Finish

**LBM**

Options

**5000 Series Electric Strikes**



**Finishes**

- 630 Satin stainless steel
- 313 Brown anodized
- 605 Bright brass
- 606 Satin brass
- 612 Satin bronze
- 613 Bronze toned
- 628 Silver nylon
- 651 Polished chrome
- BLK Black nylon coated



630 is the standard finish; all others are considered special finishes and may have a longer lead time.

**Faceplate Options**

- 501** – For use with cylindrical locksets in ANSI metal jambs. For use with latchbolts up to 1/2" throw. Metal frames.  
**Compatible Locksets:** Accurate, Adams Rite, Arrow, Baldwin, Best, Corbin, Dexter, Dominion, Guard, Falcon, Harloc, Kwikset, Lockwood, Lori, LSDA, Marks, National, Omnia, PDQ, Parker, Russwin, Sargent, Schlage, Taco, Unican, Weiser, Weslock, Yale
- 501A** - For use with cylindrical locksets. For use with latchbolts up to 1/2" throw. Includes universal mounting tabs. Aluminum frames.  
**Compatible Locksets:** Accurate, Adams Rite, Arrow, Baldwin, Best, Corbin, Dexter, Dominion, Guard, Falcon, Harloc, Kwikset, Lockwood, Lori, LSDA, Marks, National, Omnia, PDQ, Parker, Russwin, Sargent, Schlage, Taco, Unican, Weiser, Weslock, Yale

**501B** - For use with cylindrical locksets. For use with latchbolts up to 1/2" throw. Includes universal mounting tabs. Aluminum doors and frames with radiused front.

**Compatible Locksets:** Accurate, Adams Rite, Arrow, Baldwin, Best, Corbin, Dexter, Dominion, Guard, Falcon, Harloc, Kwikset, Lockwood, Lori, LSDA, Marks, National, Omnia, PDQ, Parker, Russwin, Sargent, Schlage, Taco, Unican, Weiser, Weslock, Yale

**502** - For use with cylindrical locksets. For use with latchbolts up to 1/2" throw. Includes universal mounting tabs. Wood or aluminum frames.

**Compatible Locksets:** Accurate, Adams Rite, Arrow, Baldwin, Best, Corbin, Dexter, Dominion, Guard, Falcon, Harloc, Kwikset, Lockwood, Lori, LSDA, Marks, National, Omnia, PDQ, Parker, Russwin, Sargent, Schlage, Taco, Unican, Weiser, Weslock, Yale

**503** - For use with cylindrical locksets. For use with latchbolts up to 1/2" throw. Includes universal mounting tabs. Aluminum frames.

**Compatible Locksets:** Accurate, Adams Rite, Arrow, Baldwin, Best, Corbin, Dexter, Dominion, Guard, Falcon, Harloc, Kwikset, Lockwood, Lori, LSDA, Marks, National, Omnia, PDQ, Parker, Russwin, Sargent, Schlage, Taco, Unican, Weiser, Weslock, Yale

**503B** - For use with cylindrical locksets. For use with latchbolts up to 1/2" throw. Includes universal mounting tabs. Aluminum doors and frames with radiused front.

**Compatible Locksets:** Accurate, Adams Rite, Arrow, Baldwin, Best, Corbin, Dexter, Dominion, Guard, Falcon, Harloc, Kwikset, Lockwood, Lori, LSDA, Marks, National, Omnia, PDQ, Parker, Russwin, Sargent, Schlage, Taco, Unican, Weiser, Weslock, Yale

**504** - For use with cylindrical locksets. For use with latchbolts up to 1/2" throw. Four point mounting for wood installations. Wood frames.

**Compatible Locksets:** Accurate, Adams Rite, Arrow, Baldwin, Best, Corbin, Dexter, Dominion, Guard, Falcon, Harloc, Kwikset, Lockwood, Lori, LSDA, Marks, National, Omnia, PDQ, Parker, Russwin, Sargent, Schlage, Taco, Unican, Weiser, Weslock, Yale

**How to order**  
 Faceplate Only

- |             |            |
|-------------|------------|
| <b>501A</b> | <b>630</b> |
| Faceplate   | Finish     |

## 5200 Series Electric Strikes

### Applications

Designed with the installer in mind, the 5200 series raises the standard in adaptability for electric strikes. Offering features such as an all new innovative approach to in-frame horizontal adjustability, the electric strike is the perfect fit for multiple applications. The field selectable fail secure/fail safe unit is easy to install and accommodates 3/4" latchbolts.



We offer several types of faceplate options to accommodate your application. Faceplate options sold separately.

### Specifications

- UL 1034, burglary-resistant listed
- ANSI/BHMA 156.31, Grade 1
- MEA New York City accepted
- Patented design

### Frame application

- Steel
- Aluminum
- Wood

### Electrical

- .24 Amp @ 12VDC
- .12 Amp @ 24VDC
- DC continuous duty/AC intermittent duty

### Optional Features

- LBM - Latchbolt monitor
- LBSM - Latchbolt strike monitor
- Four "press fit" stackable lip extensions (shown below)
- 5200-500 Filler block for retro-fit applications

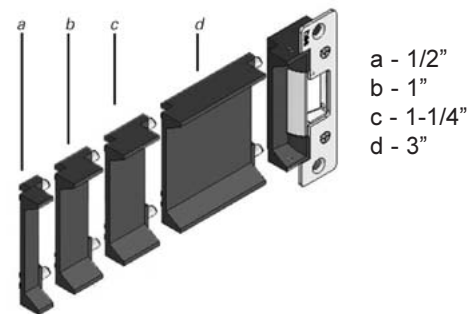


shown with 501A-option

### Standard Features

- Tamper resistant
- Static strength 1,500 lbs.
- Dynamic strength 70ft-lbs.
- Endurance rating 500,000 cycles
- Field selectable fail secure/ fail safe
- Dual voltage 12 or 24 VAC/VDC
- Non-handed
- Internally mounted solenoid
- Accommodates up to 5/8" latchbolt
- Strike body depth 1-1/16"
- Plug-in connector
- Trim enhancer included
- Five year warranty

"press fit" stackable lip extensions



- a - 1/2"
- b - 1"
- c - 1-1/4"
- d - 3"

## How to order

**5200**

Model

**501A**

Faceplate Option

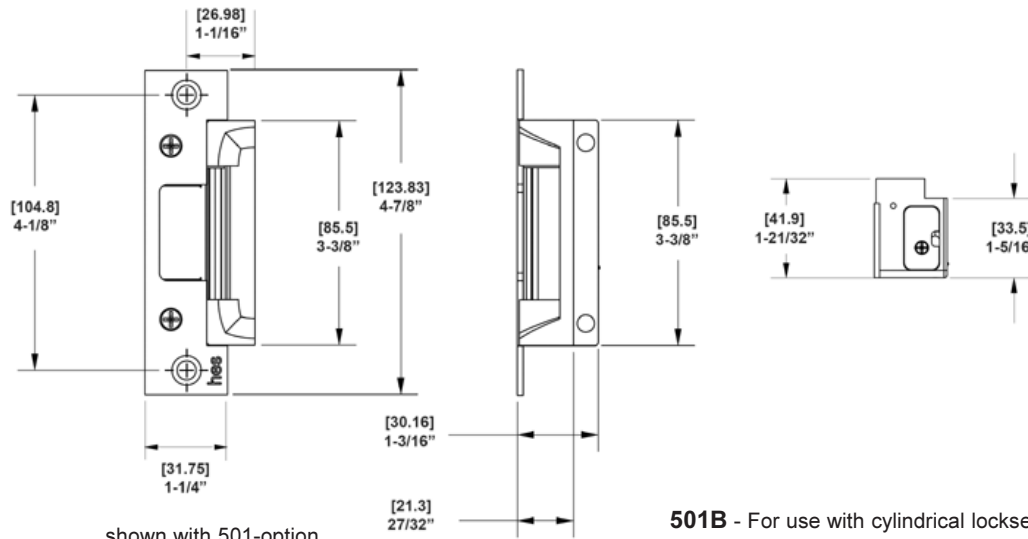
**630**

Finish

**LBM**

Options

**5200 Series Electric Strikes**



**Finishes**

- 630 Satin stainless steel
- 313 Brown anodized
- 605 Bright brass
- 606 Satin brass
- 612 Satin bronze
- 613 Bronze toned
- 628 Silver nylon
- 651 Polished chrome
- BLK Black nylon coated

630 is the standard finish; all others are considered special finishes and may have a longer lead time.

**Faceplate Options**

**501** – For use with cylindrical locksets in ANSI metal jambs. For use with latchbolts up to 1/2" throw. Metal frames.

**Compatible Locksets:** Accurate, Adams Rite, Arrow, Baldwin, Best, Corbin, Dexter, Dominion, Guard, Falcon, Harloc, Kwikset, Lockwood, Lori, LSDA, Marks, National, Omnia, PDQ, Parker, Russwin, Sargent, Schlage, Taco, Unican, Weiser, Weslock, Yale

**501A** - For use with cylindrical locksets. For use with latchbolts up to 1/2" throw. Includes universal mounting tabs. Aluminum frames.

**Compatible Locksets:** Accurate, Adams Rite, Arrow, Baldwin, Best, Corbin, Dexter, Dominion, Guard, Falcon, Harloc, Kwikset, Lockwood, Lori, LSDA, Marks, National, Omnia, PDQ, Parker, Russwin, Sargent, Schlage, Taco, Unican, Weiser, Weslock, Yale

**501B** - For use with cylindrical locksets. For use with latchbolts up to 1/2" throw. Includes universal mounting tabs. Aluminum doors and frames with radiused front.

**Compatible Locksets:** Accurate, Adams Rite, Arrow, Baldwin, Best, Corbin, Dexter, Dominion, Guard, Falcon, Harloc, Kwikset, Lockwood, Lori, LSDA, Marks, National, Omnia, PDQ, Parker, Russwin, Sargent, Schlage, Taco, Unican, Weiser, Weslock, Yale

**502** - For use with cylindrical locksets. For use with latchbolts up to 1/2" throw. Includes universal mounting tabs. Wood or aluminum frames.

**Compatible Locksets:** Accurate, Adams Rite, Arrow, Baldwin, Best, Corbin, Dexter, Dominion, Guard, Falcon, Harloc, Kwikset, Lockwood, Lori, LSDA, Marks, National, Omnia, PDQ, Parker, Russwin, Sargent, Schlage, Taco, Unican, Weiser, Weslock, Yale

**503** - For use with cylindrical locksets. For use with latchbolts up to 1/2" throw. Includes universal mounting tabs. Aluminum frames.

**Compatible Locksets:** Accurate, Adams Rite, Arrow, Baldwin, Best, Corbin, Dexter, Dominion, Guard, Falcon, Harloc, Kwikset, Lockwood, Lori, LSDA, Marks, National, Omnia, PDQ, Parker, Russwin, Sargent, Schlage, Taco, Unican, Weiser, Weslock, Yale

**503B** - For use with cylindrical locksets. For use with latchbolts up to 1/2" throw. Includes universal mounting tabs. Aluminum doors and frames with radiused front.

**Compatible Locksets:** Accurate, Adams Rite, Arrow, Baldwin, Best, Corbin, Dexter, Dominion, Guard, Falcon, Harloc, Kwikset, Lockwood, Lori, LSDA, Marks, National, Omnia, PDQ, Parker, Russwin, Sargent, Schlage, Taco, Unican, Weiser, Weslock, Yale

**504** - For use with cylindrical locksets. For use with latchbolts up to 1/2" throw. Four point mounting for wood installations. Wood frames.

**Compatible Locksets:** Accurate, Adams Rite, Arrow, Baldwin, Best, Corbin, Dexter, Dominion, Guard, Falcon, Harloc, Kwikset, Lockwood, Lori, LSDA, Marks, National, Omnia, PDQ, Parker, Russwin, Sargent, Schlage, Taco, Unican, Weiser, Weslock, Yale

Hardwiring Made Easy™



Learn more on page 3

**How to order**  
Faceplate Only

**501A**

Faceplate

**630**

Finish

## 5900 Series Electric Strikes

### Applications

Based on the 5000 series, the 5900 series offers unmatched performance and reliability. This field selectable fail safe/fail secure unit requires no cutout on the frame for fast, easy installation. It accommodates 1/2-5/8" latchbolts (with 1/8" door gap). With patented vertical adjustability to accommodate door sag or misalignment, the 5900 sets the standard for concealed electric strikes.



### Specifications

- ANSI/BHMA 156.31, Grade 1
- UL Pending
- Patented design

### Frame application

- Steel
- Aluminum
- Wood

### Electrical

- .24 Amp @ 12VDC
- .12 Amp @ 24VDC
- DC continuous duty/AC intermittent duty

### Optional Features

- LBM - Latchbolt monitor

### Standard Features

- No cutting on frame required
- Vertical adjustability to accommodate door sag
- Tamper resistant
- Field selectable fail safe/fail secure
- Dual voltage 12 or 24 VAC/VDC
- Non-handed
- Internally mounted solenoid
- Accommodates 1/2-5/8" latchbolts (with 1/8" door gap)
- Strike body depth 1-1/16"
- Plug-in connector
- Five year warranty

## How to order

**5900**

Model

**591A**

Faceplate Option

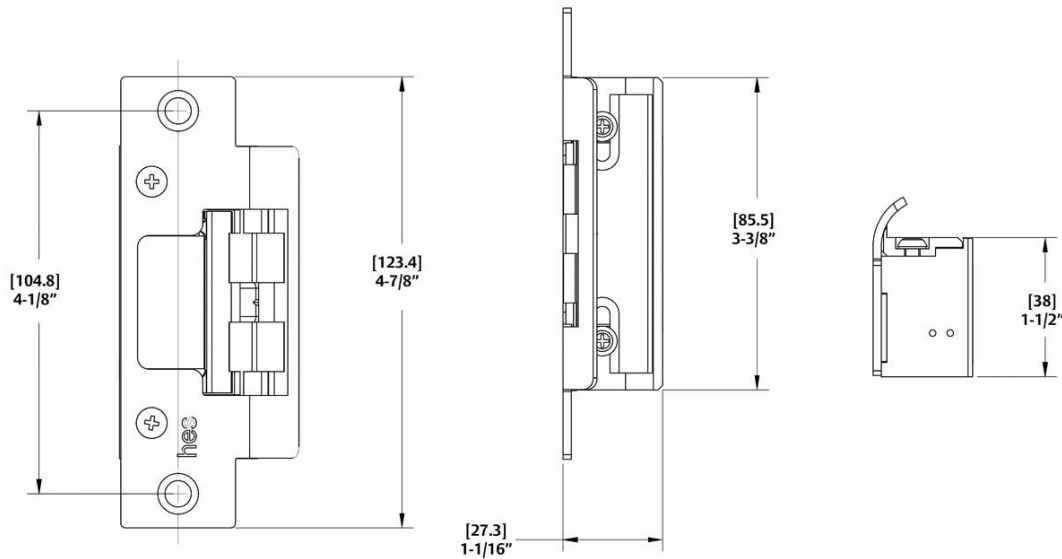
**630**

Finish

**LBM**

Options

**5900 Series Electric Strikes**



**Finishes**

- 630 - Satin stainless steel finish
- 605 - Bright brass finish
- 606 - Satin brass finish
- 612 - Satin bronze finish
- 613 - Bronze toned finish
- 629 - Bright stainless steel finish
- BLK - Black finish

Hardwiring Made Easy™



Learn more on page 3

**Faceplate Options**

**591** - Cylindrical locksets in ANSI metal jambs. For use with latchbolts up to 5/8" throw. ANSI/BHMA Numbers: #E05031, #E09321, #E09322, #E09323

**591A** - Cylindrical locksets. For use with latchbolts up to 5/8" throw. Includes universal mounting tabs. Aluminum frames. ANSI/BHMA Numbers: #E05031, #E09321, #E09322, #E09323

**592** - Cylindrical locksets. For use with latchbolts up to 5/8" throw. Includes universal mounting tabs. Aluminum frames. ANSI/BHMA Numbers: #E05031, #E09321, #E09322, #E09323

**593** - Cylindrical locksets. For use with latchbolts up to 5/8" throw. Includes universal mounting tabs. Aluminum applications. ANSI/BHMA Numbers: #E05031, #E09321, #E09322, #E09323

**595** - Cylindrical locksets. For use with latchbolts up to 5/8" throw. Four point mounting for wood installations. ANSI/BHMA Numbers: #E05031, #E09321, #E09322, #E09323

**How to order**  
Faceplate Only

**591A**

Faceplate

**630**

Finish

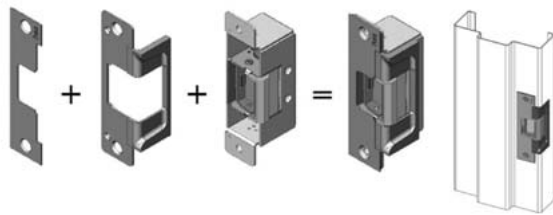
## 7000 Series Electric Strikes

### Applications

The 7000 series has a modular design to accommodate both cylindrical and rim exit locksets. The 7000 series will accommodate various types of latchbolts from 5/8" to 3/4" throw. The unique design of the keeper module allows the unit to operate under excessive door loading. The 7000 series has an internally mounted solenoid for ease of installation in metal, aluminum and wood jambs. The heavy-duty construction of the 7000 series electric strikes makes them ideal for high usage applications.



shown with 702-option



We offer several types of faceplate options to accommodate your application. Faceplate options sold separately.

### Specifications

- UL 1034, burglary-resistant listed
- ANSI/BHMA 156.31, Grade 2
- MEA New York City accepted
- Patented design

### Frame application

- Steel
- Aluminum
- Wood

### Electrical

- .45 Amp @ 12VDC
- .25 Amp @ 24VDC

### Optional Features

- LBM - Latchbolt monitor
- LBSM - Latchbolt strike monitor

### Standard Features

- Stainless steel construction
- Tamper resistant
- Static strength 1,000 lbs.
- Dynamic strength 50 ft-lbs.
- Endurance 500,000 cycles
- Field selectable fail secure/fail safe
- Accommodates up to 30lbs pre-load
- Non-handed
- Internally mounted solenoid
- Strike body depth 1-11/16"
- Plug-in connector
- Trim Enhancer (701 & 702 options)
- Pocket adapter (789 option)
- Three year limited warranty

## How to order

**7000**

Model

**701**

Faceplate Option

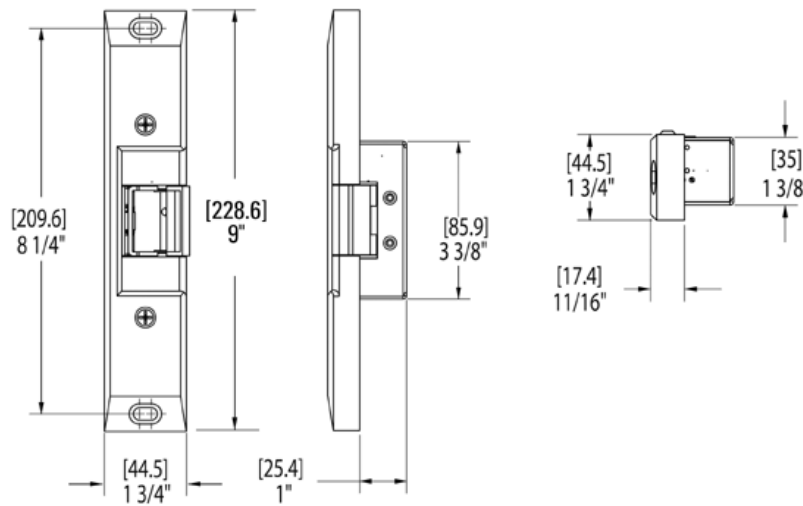
**630**

Finish

**LBM**

Options

**7000 Series Electric Strikes**



**Finishes**

- 630 Satin stainless steel
- 605 Bright brass\*
- 606 Satin brass\*
- 612 Satin bronze\*
- 613C Brown nylon powder coated
- 628C Silver nylon powder coated
- 651 Polished chrome\*
- BLK Black nylon coated\*

\*701 and 702 options only.

630 is the standard finish; all others are considered special finishes and may have a longer lead time.

Hardwiring Made Easy®



Learn more on page 3

**Faceplate Options**

**701** - For use with cylindrical locksets up to 5/8" throw. (For use with 7000 series electric strikes only.) Metal frames.

**Compatible Locksets:** Accurate, Arrow, Baldwin, Best, Falcon (1991 & earlier), Marks, Omnia, PDQ

**702** - For use with cylindrical locksets up to 5/8" throw. (For use with 7000 series electric strikes only.) Metal or wood frames.

**Compatible Locksets:** Accurate, Arrow, Baldwin, Best, Falcon (1991 & earlier), Marks, Omnia, PDQ

**783** - For use with rim panic exit devices in metal jambs with up to a 3/4" pullman latch. (For use with 7000 series electric strikes.) Metal or wood frames.

**Compatible Locksets:** American Device, Arrow, Doramatic, Monarch, Precision, Sargent, Von Duprin, Yale

**786** - For use with rim panic exit devices in aluminum jambs and surface mounted vertical rod exit devices with up to a 3/4" pullman latch. (For use with 7000 series electric strikes.) Aluminum frames.

**Compatible Locksets:** Adams Rite, American Device, Arrow, Doramatic, Jackson, Monarch, Precision, Sargent, Von Duprin, Yale

**789** - For use with rim panic exit devices in aluminum jambs with up to a 3/4" pullman latch. (For use with 7000 series electric strikes.) Aluminum frames.

**Compatible Locksets:** Adams Rite, American Device, Arrow, Doramatic, Jackson, Monarch, Precision, Sargent, Von Duprin, Yale

**How to order**  
 Faceplate Only

**701**

Faceplate

**630**

Finish

## 7500 Series Electric Strikes

### Applications

The 7500 series electric strike is ideal for fire-rated applications with pre-load conditions which may be caused by a warped or misaligned door, weather stripping, a smoke seal or any other condition that could cause door bind. The solenoid is internally mounted for compactness, making the 7500 series electric strikes easy to install in hollow metal, concrete filled metal, wood and aluminum jambs.



model 7501 shown



### Specifications

- UL 10C, 3 hour fire rated (fail secure only)
- UL 1034, burglary-resistant listed
- ANSI/BHMA 156.31, Grade 1
- NFPA-252 fire door conformant
- ASTM-E152 fire door conformant
- MEA New York City accepted
- UBC-7-2-94, Uniform Building Code
- Patented design

### Frame application

- Steel
- Aluminum
- Wood

### Electrical

- .45 Amp @ 12VDC
- .25 Amp @ 24VDC

### Standard Features

- Stainless steel construction
- Tamper resistant
- Static strength 1,500 lbs.
- Dynamic strength 70 ft-lbs.
- Endurance 500,000 cycles
- Field selectable fail safe/fail secure
- Accommodates up to 30lbs. pre-load
- Horizontal adjustment
- Non-handed
- Internally mounted solenoid
- Strike body depth 1-11/16"
- Plug-in connector
- Trim enhancer included
- Five year limited warranty

## How to order

**7501**

Model

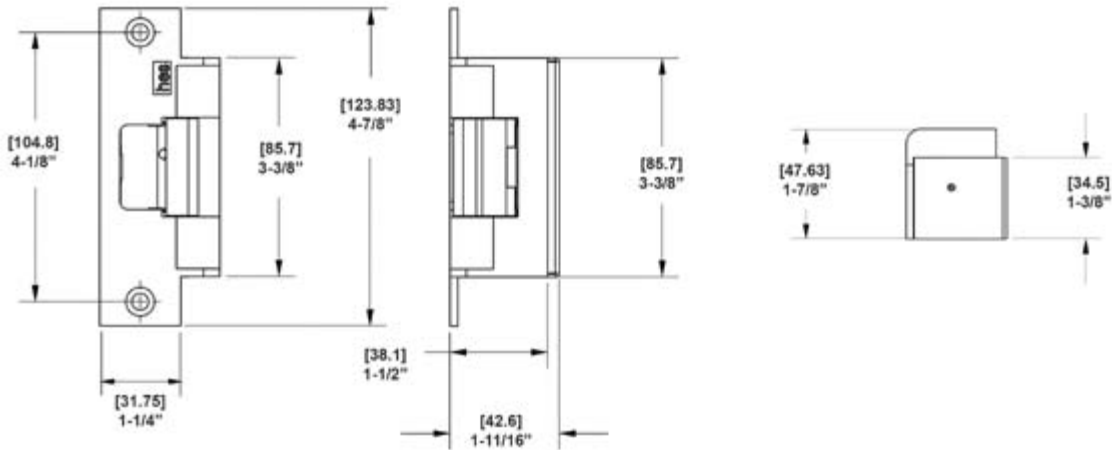
**630**

Finish

**SMB**

Option

## 7500 Series Electric Strikes



### Optional Features

- LBM - Latchbolt monitor
- SMB - Surface mounting box

### Accessories

- 2001 - Plug-in bridge rectifier
- 2005 - SMART Pac II™
- 2006P - Plug-in buzzer
- 2009P - Plug-in L.E.D.
- 154 - MTK Metal template kit
- 2004 - Electrolynx connector

### Finishes

- 630 Satin stainless steel
- 605 Bright brass
- 606 Satin brass
- 612 Satin bronze
- 613C Brown nylon powder coated
- 628C Silver nylon powder coated
- 651 Polished chrome
- BLK Black nylon coated

630 is the standard finish; all others are considered special finishes and may have a longer lead time.

### Models

**7501** - For use with cylindrical locksets with up to a 5/8" throw.

**Compatible Locksets:** Accurate, Adams Rite, Arrow, Baldwin, Best, Corbin, Dexter, Dominion, Guard, Falcon, Harloc, Kwikset, Lockwood, Lori, LSDA, Marks, National, Omnia, PDQ, Parker, Russwin, Sargent, Schlage, Taco, Unican, Weiser, Weslock, Yale

**7505** - For use with cylindrical locksets with up to a 5/8" throw for wood frame applications.

**Compatible Locksets:** Accurate, Adams Rite, Arrow, Baldwin, Best, Corbin, Dexter, Dominion, Guard, Falcon, Harloc, Kwikset, Lockwood, Lori, LSDA, Marks, National, Omnia, PDQ, Parker, Russwin, Sargent, Schlage, Taco, Unican, Weiser, Weslock, Yale

Hardwiring Made Easy®



Learn more on page 3

## How to order

**7501**

Model

**630**

Finish

**SMB**

Option

## 9500 Series Electric Strikes

### Applications

The 9500 series Genesis™ is completely surface mounted, featuring all components completely encased within its 3/4" thick stainless steel housing—requiring no cuts to the jamb. Designed for use with 3/4" exit devices, the Genesis series is field selectable to either fail secure or fail safe operation and can be operated with either 12 or 24 Volts DC. The 9500 Genesis™ is the perfect solution for fire-rated rim exit applications.



### Specifications

- UL 10C fire rated, 90 minutes (fail secure only)
- CAN4-S104 (ULC-S104) fire door conformant
- WHI fire door listed
- UL1034 burglary-resistant listed
- ANSI/BHMA 156.31, Grade 1
- NFPA-252 fire door conformant
- ASTM-E152 fire door conformant
- California fire marshall listed
- UBC-7-2-94, Uniform Building Code
- Patented design

### Frame application

- Steel
- Aluminum
- Wood

### Electrical

- .45 Amp @ 12VDC
- .25 Amp @ 24VDC

### Standard Features

- Completely surface mounted
- Stainless steel construction
- Tamper resistant
- Static strength 1,500 lbs.
- Dynamic strength 70 ft-lbs.
- Endurance 500,000 cycles
- Field selectable fail safe/fail secure
- Dual voltage 12 or 24 VDC
- Horizontal adjustment
- Non-handed
- Internally mounted solenoid
- Accommodates up to 3/4" pullman latch
- Five year limited warranty

### How to order

**9500**

Faceplate

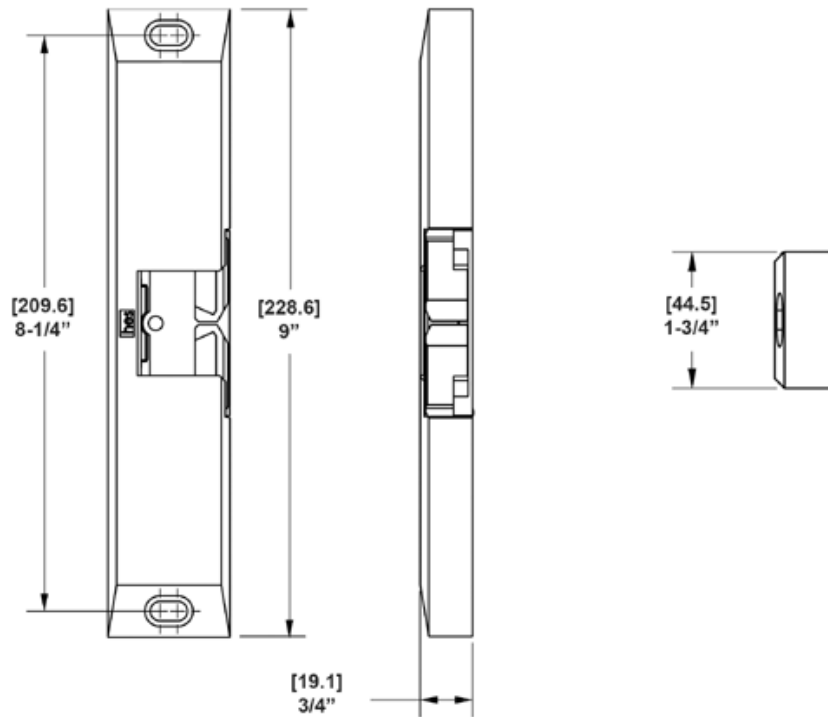
**630**

Finish

**LMB**

Option

## 9500 Series Electric Strikes



### Optional Features

- LBM - Latchbolt monitor
- LBSM - Latchbolt strike monitor

### Accessories

- 9500/9600-108 - Spacer plate
- 2001 - Plug-in bridge rectifier
- 2005 - SMART Pac II™
- 2006P - Plug-in buzzer
- 2009P - Plug-in L.E.D.
- 154 - MTK Metal Template Kit
- 2004 - Electrolynx connector

### Finishes

- 630 Satin stainless steel
- 605 Bright brass
- 606 Satin brass
- 612 Satin bronze
- 613 Bronze toned
- 651 Polished chrome

630 is the standard finish; all others are considered special finishes and may have a longer lead time.

Hardwiring Made Easy®



Learn more on page 3

## How to order

**9500**

Faceplate

**630**

Finish

**SMB**

Option

## 9600 Series Electric Strikes

### Applications

Completely surface-mounted, the 9600 series Genesis™ is the first of its kind. The 9600 accommodates rim exit devices in metal or wood jambs. The 9600 features an internally mounted solenoid and two stainless steel, independently-operating locking mechanisms. The 9600 is easy to install, with all components of the 9600 encased in the 3/4" thick stainless steel housing, requiring no cuts to the jamb prior to installation.



### Specifications

- UL1034 burglary-resistant rated
- ANSI/BHMA, 156.31 Grade 1
- Patented design

### Frame application

- Steel
- Aluminum
- Wood

### Electrical

- .45 Amp @ 12VDC
- .25 Amp @ 24VDC

### Standard Features

- Completely surface mounted
- Stainless steel construction
- Tamper resistant
- Static strength 1,500 lbs.
- Dynamic strength 70 ft-lbs.
- Endurance 500,000 cycles
- Field selectable fail safe/fail secure
- Dual voltage 12 or 24 VDC
- Horizontal adjustment
- Non-handed
- Internally mounted solenoid
- Accommodates up to 3/4" pullman latch
- Five year limited warranty

## How to order

**9600**

Faceplate

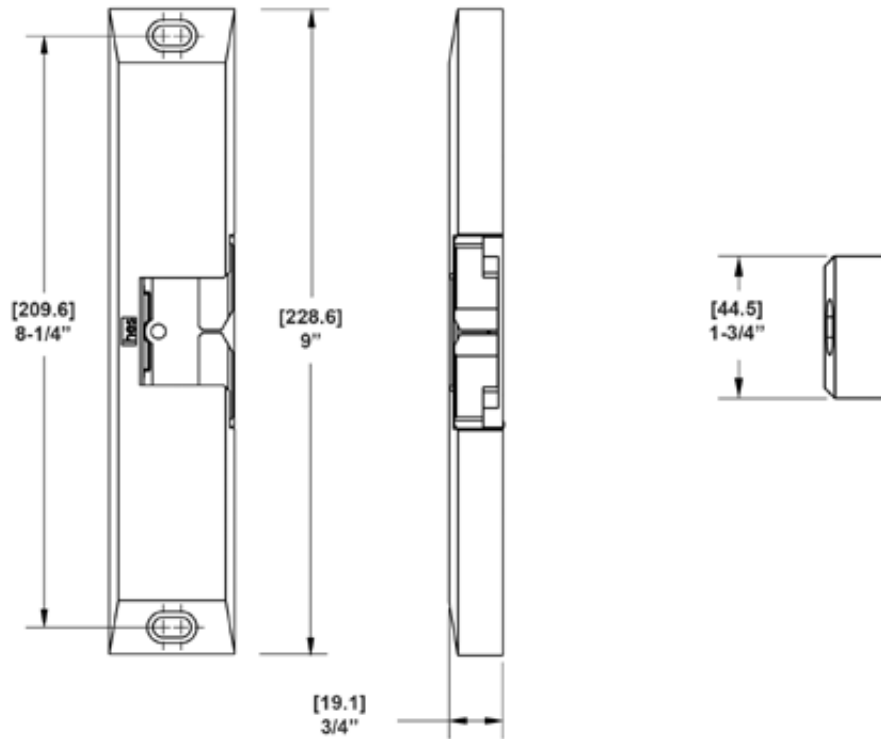
**630**

Finish

**LMB**

Option

## 9600 Series Electric Strikes



### Optional Features

- LBM - Latchbolt monitor
- LBSM - Latchbolt strike monitor

### Accessories

- 9500/9600 108 - Spacer plate
- 2001 - Plug-in bridge rectifier
- 2005 - SMART Pac II™ power controller
- 2006P - Plug-in buzzer
- 2009P - Plug-in L.E.D.
- 154 - MTK Metal Template Kit
- 2004 - Electrolynx connector

### Finishes

- 630 Satin stainless steel
- 605 Bright brass
- 606 Satin brass
- 612 Satin bronze
- 613 Bronze toned
- 651 Polished chrome

630 is the standard finish; all others are considered special finishes and may have a longer lead time.

Hardwiring Made Easy™



Learn more on page 3

## How to order

9600

Faceplate

630

Finish

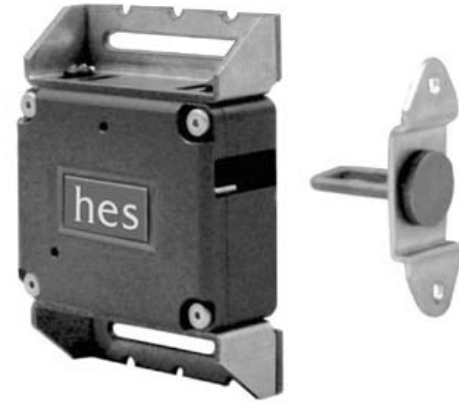
SMB

Option

## 660 Series Electro-Mechanical Lock

### Applications

The 660 electro-mechanical lock is a surface-mounted electric multi-purpose lock, perfect for drawers and cabinets, operating on either 12 or 24VDC with over 1,000 lbs. of holding force.



### Specifications

- Static strength 1,000 lbs.
- Dynamic strength over 100 ft-lbs.
- Endurance over 1,000,000 cycles
- Available in either 12 or 24 VDC
- All metal construction
- 6 foot cable lead

### Optional Features

- LBSM - Latchbolt and Strike Monitoring
- Pre-load option
- KO - Key override option

### Electrical

- .24 Amps @ 12VDC
- .12 Amps @ 24VDC

### Pre-load Electrical

- .70 Amps @ 12VDC
- .35 Amps @ 24VDC

## How to order

**660**

Model

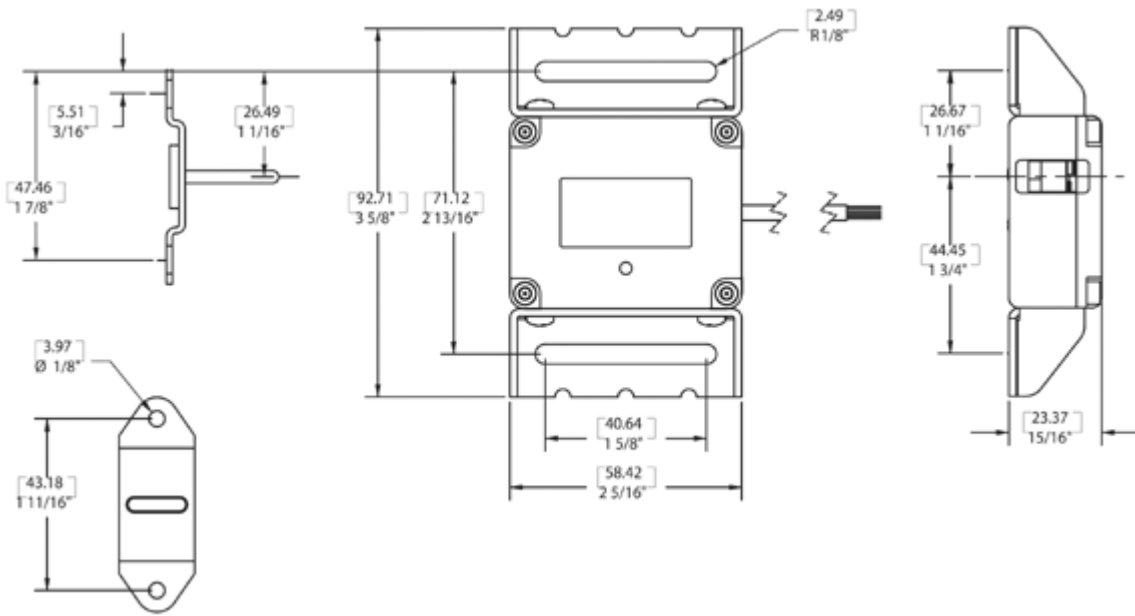
**24VDC**

Voltage

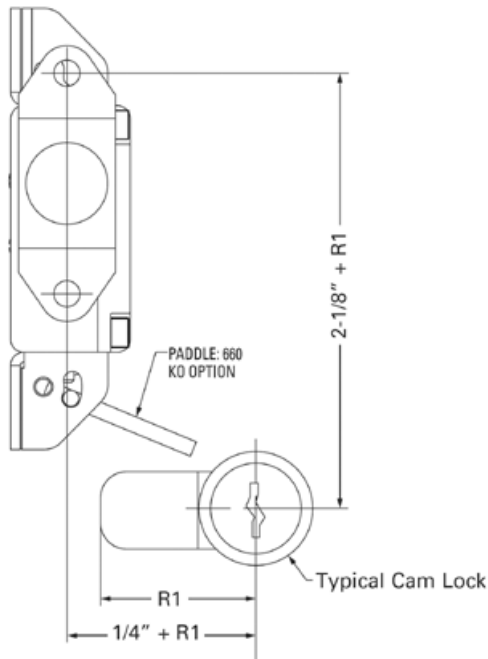
**LBSM**

Option

**660 Series Electro-Mechanical Lock**



**Key Override Option:**



Hardwiring Made Easy™



Learn more on page 3

**How to order**

|            |              |             |
|------------|--------------|-------------|
| <b>660</b> | <b>24VDC</b> | <b>LBSM</b> |
| Model      | Voltage      | Option      |