

The Norton Door Company began in 1880 with Lewis C. Norton, the inventor of the first American door closer. He organized the Norton Door Check Company to manufacture and market his product: the first practical, commercial door closer. Today Norton Door Controls are manufactured in a 130,000 square foot sophisticated plant in Monroe, North Carolina.

7500/7700 Series	159 - 160
8000 Series	161 - 162
1600 Series	163 - 164
1700 Series	165
9300BC Series	166
78B/F Series	167 - 168
7900/7970 Series	169
2800ST Series	170
7200 Series	171
7700 Series Power Track®	172
5700 Series LEO®	173
6900 Series PowerMatic®	174

NORTON®

7500/7700 Series

Features

- Non-handed
- Standard, separate and independent, latch, sweep and backcheck intensity valves
- 2-1/8" (54mm) projection (standard covers)
- All standard arm applications allow doors to swing 180°, conditions permitting
- Staked valves
- 10-year limited warranty
- Cast aluminum body

Optional Features

- Metal cover
- Corrosion-resistant model (specify 7500SS)
- Delayed action
- Enhanced backcheck
- Heavy-duty arms available: Parallel Rigid, CloserPlus®, CloserPlus Spring™ & Unitrol®
- Slide Track - push or pull mounting

Compliance Standards

- ANSI/BHMA A156.4, Grade 1 certified
- UL listed
- UL10C compliant for positive pressure
- ADA compliant (7500 series)

Prefixes

- No Prefix** - Tri-Style packaging (regular arm, parallel arm or top jamb mounting)
- PR** - Parallel Rigid arm (parallel arm only). Non-hold open only.
- PS** - 7570ST / 7770ST for push side mounting only.
- CLP** - CloserPlus® arm (parallel arm only).
- CPS** - CloserPlus Spring™ arm (parallel arm only).
- UNI** - Unitrol® arm (parallel arm only - specify door width).
Frame reveals 1-7/8" to 4-5/8" (48mm-117mm) standard.
- UNIJ** - Unitrol® arm (top jamb only - specify frame reveal).
7-3/8" (187mm) maximum.
- R** - Rigid heavy-duty regular arm. (Torx® screws not included)
(N/A in stainless steel)



7500

- Adjustable spring sizes 1 through 6
- Tri-Style® standard (regular arm, top jamb and parallel arm mounting)

7700

- Sized springs 2,3,4,5,6 with 50% additional adjustment
- Bi-pack standard (regular arm and top jamb mounting)

Fasteners

SN - PR, CLP, CPS, UNI arms and slide tracks are shipped standard with sleeve nuts (SN) and self-drilling screws.

TBGN - Through-bolts and grommet nuts (TBGN) are another fastener alternative for wood doors. Specify door thickness 1-3/4" (44mm) or 1-3/8" (35mm) when ordering.

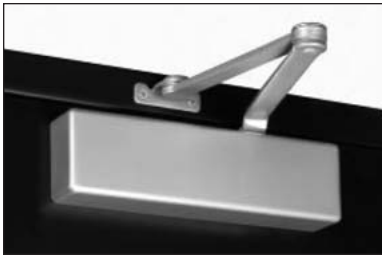
Suffixes

- None** - Non-hold open arm function
- ST** - Slide track - single lever arm (auxiliary stop recommended)
- T** - Thumbturn hold open on CloserPlus® (CLP) or CloserPlusSpring™ (CPS) arm
- EBC** - Enhanced Backcheck
- DA** - Delayed Action
- EP** - Extra power door closer (for 7706 closer only)
- H** - Hold open arm function (specify hand when "PR" prefix is ordered)

How to order

UNI	7500	DA	689
Prefix	Model	Suffix	Finish

7500/7700 Series Arm Applications



Regular Rigid Arm (R)

This double lever arm features a non-adjustable secondary arm. Orbitally riveted joints prevent tampering or disassembly. The rigid heavy-duty arm is standard with the security closers featuring a regular arm applicaton. Auxiliary door stop required. Available non-hold open only.



Parallel Rigid Arm (PR)

An enhanced variation of the standard parallel arm assembly that is intended for use in heavy traffic areas where auxiliary door stops are installed. Auxiliary door stop required. Available non-hold open only.



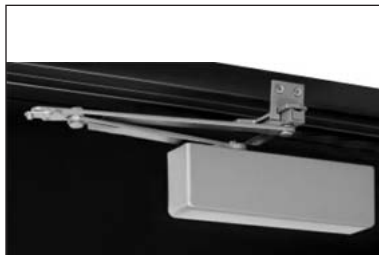
CloserPlus® Arm (CLP)

Similar to the Parallel Rigid arm, this arm incorporates a stop at the arm's soffit plate to dead stop the door at a predetermined degree of door swing between 85° and 110°, in 5° increments. Prior to dead stop the door closer's backcheck feature slows the door speed to reduce the impact of the stop action. CloserPlus arm is intended for use where an auxiliary door stop cannot be utilized and no more than moderate abuse is anticipated. Where more extreme conditions are expected, use of a Unitrol® arm is recommended. Thumbturn hold open available. (Hold open strength is adjustable.)



CloserPlus Spring™ Arm (CPS)

This heavy-duty stop arm includes all of the features of the CloserPlus Arm, plus an added buffer spring that is compressed prior to the arm hitting the dead stop point. This greatly reduces the shock of the stopping action that occurs with the CloserPlus arm. CloserPlus Spring Arm is intended for use where an auxiliary door stop cannot be utilized and no more than moderate abuse is anticipated. Where more extreme conditions are expected, use of a Unitrol arm is recommended. Thumbturn hold open available. (Hold open strength is adjustable.)



Unitrol® Arm (Parallel Arm) (UNI)
 Available in Unitrol® Arm (Top Jamb) (UNIJ)

Unitrol arms combine the features of a double lever arm overhead door stop/holder with the backcheck feature of the door closer to reduce door stopping shock loads to a minimum. This arm uses a compression spring buffer at the soffit plate/arm shoe that will absorb 30 lbs. of force, 5° prior to the door's dead stop. Coupled with the door closer's backcheck feature, the Unitrol® Arm offers the most controlled stop available with a surface door closer. There are three different length arm assemblies. Each length is designed for a specific range of door widths to provide precise door control. This further lessens the dead stop impact on the door's hinges/pivots.



Slide Track Mounting (ST)

Whether pull or push side mounted, this application provides the designer with the smoothest lines available in a surface mounted door closer. The single lever arm allows components to be located in a stack configuration to minimize projection and eliminate obtrusive arm angles. Auxiliary door stop is recommended for this application.

How to order

UNI	7500	DA	689
Prefix	Model	Suffix	Finish

8000 Series

Features

- Non-handed
- Staked valves
- Standard, separate and independent, latch, sweep and backcheck intensity valves
- 2-1/8" (54mm) projection (standard covers)
- All standard arm applications (with slim, full or metal covers) allow doors to swing 180°, conditions permitting
- 8300/8301 shipped with molded slim-line plastic cover
- 8500/8501 shipped with molded full plastic cover
- 10-year warranty
- Cast Aluminum

Optional Features

- Metal, architectural plastic or architectural metal covers (8500 or 8501)
- Delayed action
- Heavy-duty arms available: Parallel Rigid, CloserPlus®, CloserPlus Spring™ and Unitrol®

Compliance Standards

- ANSI/BHMA A156.4, Grade 1 certified
- UL listed
- UL10C compliant for positive pressure
- ADA compliant (8301 and 8501)

Prefixes

No Prefix - 8300/8500 series designates bi-packed (regular & top jamb) (Top Jamb up to 3" reveal) 8301/8501 series designates Tri-style® (stock closers)

J - Top Jamb installation. 2-3/4 to 7" reveal - 150° swing

P - 8300/8500 parallel arm only
- 8301/8501 parallel arm units with specialty brackets
- 8380/8580 low profile closer

PR - Parallel rigid arm (parallel arm only - specify hand for hold open functions)

PRO - Parallel rigid arm with offset soffit plate (parallel arm only - specify hand for hold open applications)

PS - For Push side mounted slide track only

R - Regular rigid heavy-duty arm (Torx® screws not included)

CLP - CloserPlus® arm (parallel arm only)

CPS - CloserPlus Spring™ arm (parallel arm only)

UNI - Unitrol® arm (parallel arm only - specify door width)

UNIJ - Unitrol arm (top jamb only - specify frame reveal)

Fasteners

SN - PR, CLP, CPS, UNI arms and slide tracks are shipped standard with sleeve nuts (SN) and self-drilling screws.

TBGN - Through-bolts and grommet nuts (TBGN) are another fastener alternative for wood doors. Specify door thickness 1-3/4" (44mm) or 1-3/8" (35mm) when ordering.



8300

- Sized springs 2, 3, 4, 5, 6 with 50% additional adjustment
- Bi-pack packaging standard (regular arm and top jamb mounting)
- Slim line cover

8301

- Adjustable spring sizes 1 through 6
- Tri-Style® standard (regular arm, top jamb and parallel arm mounting)
- ADA compliant
- Slim line cover

8500

- Sized springs 2, 3, 4, 5, 6 with 50% additional adjustment
- Bi-pack packaging standard (regular arm and top jamb mounting)
- Full cover

8501

- Adjustable spring sizes 1 through 6
- Tri-Style® standard (regular arm, top jamb and parallel arm mounting)
- ADA compliant
- Full cover

Suffixes

"No Suffixes" - Standard non-hold open arm

"H" - Standard hold open arm

"M" - Metal Cover; optional for series 8500 and 8501 closers only (Specify hand for Top Jamb closer)

"A" - Optional Architectural Plastic cover (8500/8501 only)

"MA" - Optional Architectural Metal cover (8500/8501 only)

"T" - Thumbturn hold open on CloserPlus (CLP) & CloserPlus Spring (CPS) arms

"DA" - Adjustable delayed action closing optional. Available with adjustable backcheck cushioning for all series

"ST" - Slide track single lever arm (pull side standard. For push side prefix PS)

"DE" - Pull side slide track arm for double egress frame with reveal (Handed)

How to order

UNI

Prefix

8300

Model

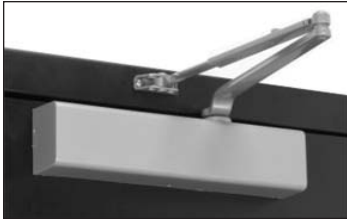
H

Suffix

689

Finish

8000 Series Arm Applications



Regular Arm

For efficiency reasons this application provides the best alternative to the regular arm application. There must be sufficient frame face and/or ceiling clearance for this application. It requires a top rail on the door of just 2-1/4" (57mm). This application provides the best door control for doors in exterior walls that swing out of a building. The entire door closer and arm assembly project from the frame, similar to the regular arm application, where matters of appearance and malicious abuse can be of concern. Consideration must be given to depth of reveal.



CloserPlus® Arm (CLP)

Similar to the Parallel Rigid arm, this arm incorporates a stop at the arm's soffit plate to dead stop the door at a predetermined degree of door swing between 85° and 110°, in 5° increments. Prior to dead stop the door closer's backcheck feature slows the door speed to reduce the impact of the stop action. The CloserPlus Arm is intended for use where an auxiliary door stop cannot be utilized and no more than moderate abuse is anticipated. Where more extreme conditions are expected, use of a Unitrol arm is recommended.



Slide Track (ST)

Whether pull- or push-side mounted, slide track provides the designer with the smoothest lines available in a surface mounted door closer. The single lever arm allows components to be located in a stack configuration to minimize projection and eliminate obtrusive arm angles.



Top Jamb (J)

This application provides the most appealing design appearance for a surface-mounted door closer having a double lever arm. This also makes it beneficial in vandalism-prone areas. It is on the push side of the door and the arm assembly extends almost parallel to the door. In the closed position, there is very little or no hardware projecting beyond the frame face in most situations.



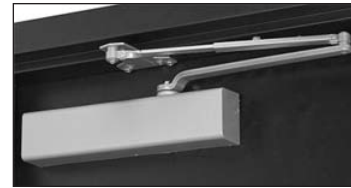
Regular Rigid Arm (R)

This double lever arm features a non-adjustable secondary arm. Orbitally riveted joints prevent tampering or disassembly. Prefix "R" to model number. Available non-hold open only.



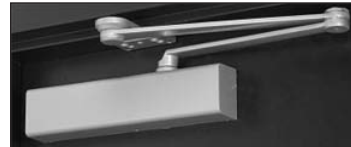
Low Profile Arm

Supplied with 8380/8580, 8381/8581 series door closers for non-hold open installations only. Low profile arms have a reduced height elbow joint and a straight main arm. This enables the door closer to be installed in less vertical space.



Parallel Arm (P)

An enhanced variation of the standard parallel arm assembly that is intended for use in heavy traffic areas where auxiliary door stops are installed. Hold open available - specify hand when ordering.



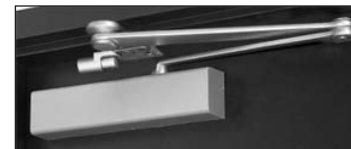
Parallel Rigid Arm (PR)

An enhanced variation of the standard parallel arm assembly that is intended for use in heavy traffic areas where auxiliary door stops are installed. Hold open available - specify hand when ordering.



Unitrol® Arm (UNI)

Can be used for either parallel arm or top jamb applications. Unitrol arms combine the features of a double lever arm overhead door stop/holder with the backcheck feature of the door closer to reduce door stopping shock loads to a minimum. The Unitrol uses a compression spring buffer at the soffit plate/arm shoe that will absorb 30 lbf. of force, 5° prior to the door's dead stop. Coupled with the door closer's Unitrol® Arm backcheck feature, this arm provides the most controlled stop available with a surface door closer.



CloserPlus Spring™ Arm (CPS)

This arm incorporates a steel spring (with the standard CloserPlus arm) that provides greater protection at the end of the door opening cycle.

How to order

UNI	8300	H	689
Prefix	Model	Suffix	Finish

1600 Series

Features

- Non-handed
- Standard, separate and independent, latch, sweep and backcheck cushioning valves
- Staked valves
- 2-7/8" (73mm) projection
- All standard arm applications allow doors to swing 180°, conditions permitting
- 10-year warranty
- Cast Aluminum

Optional Features

- Delayed action (in lieu of backcheck)
- Corrosion-resistant model (specify 1601SS)
- Molded plastic cover
- Heavy-duty arms available: Parallel Rigid, CloserPlus®, CloserPlus Spring™ and Unitrol®

Compliance Standards

- ANSI/BHMA A156.4, Grade 1 certified
- UL listed
- UL10C compliant for positive pressure
- ADA compliant (1601BF)

Prefixes

No Prefix - 1600BC series designates bi-packed 1601 series designates Tri-style®

J - Top jamb installation. Reveals in excess of 2-3/4 to 7"

P - 1600BC parallel arm units requiring specialty brackets
 - 1601 parallel arm units requiring specialty brackets
 - 1680BC low-profile closer
 - 1601SS corrosion resistant closer. Not Tri-Style.

PR - Parallel Rigid arm (parallel arm only) specify hand for hold open functions

CLP - CloserPlus® arm (parallel arm only)

CPS - CloserPlus Spring™ arm (parallel arm only)

UNI - Unitrol® arm (parallel arm only - specify door width)

UNIJ - Unitrol arm (top jamb only - specify frame reveal)

Fasteners

SN - PR, CLP, CPS, UNI arms and slide tracks are shipped standard with sleeve nuts (SN) and self-drilling screws.

TBGN - Through-bolts and grommet nuts (TBGN) are another fastener alternative for wood doors. Specify door thickness 1-3/4" (44mm) or 1-3/8" (35mm) when ordering.



1600BC

- Sized springs 2, 3, 4, 5, 6 with no power adjustment
- Bi-packed standard (regular arm and top jamb mounting)

1601

- Adjustable spring sizes 3 through 6
- Tri-Style® standard (regular arm, top jamb and parallel arm mounting)

1601BF

- Adjustable spring sizes 1 through 4
- Tri-Style® standard (regular arm, top jamb and parallel arm mounting)

Suffixes

None - Non-hold open arm function.

H - Hold open arm function (specify hand when "PR" prefix is ordered)

DA - Optional delayed action feature (in lieu of backcheck)

HOSP - 1603BC and 1604BC only. Hospital hold open (specify hand)

COUP - 1602BC and 1603BC only. Coupon booth hold open (specify hand)

TEL - 1602BC only - Telephone booth (non-handed)

SS - Series 1601/1601BF only. Corrosion-resistant closer. Not Tri-Style. Available with non-hold open adjustable arm only; for regular arm, top jamb "J" prefix or parallel arm "P" prefix

T - Thumbturn hold open on CloserPlus® (CLP) and CloserPlus Spring™ (CPS) arms

P - Cover

How to order

UNI

Prefix

1601

Model

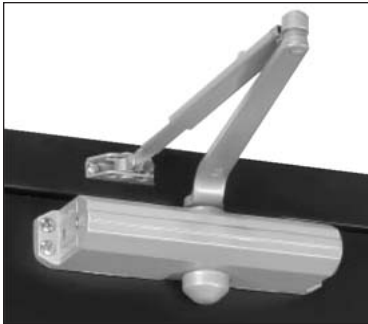
H

Suffix

689

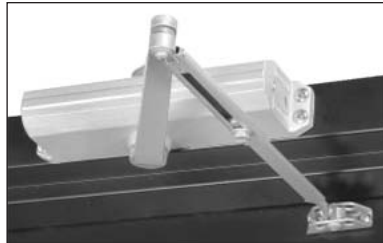
Finish

1600 Series Arm Applications



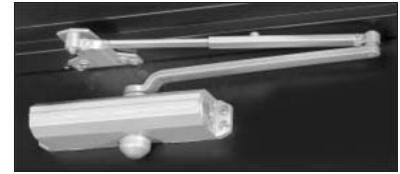
Regular Arm

This is the only pull-side application where a double lever arm is used. It is the most power-efficient application for a door closer. Sufficient frame, door and/or ceiling clearance must be considered.



Top Jamb (J)

For efficiency reasons this application provides the best alternative to the regular arm application. There must be sufficient frame face and/or ceiling clearance for this application. It requires a top rail on the door of just 2-1/8" (54mm). This application provides the best door control for doors in exterior walls that swing out of a building.



Parallel Arm (P)

This application provides the most appealing design appearance for a surface-mounted door closer having a double lever arm. This may also be beneficial in vandalism-prone areas. It is on the push side of the door and the arm assembly extends almost parallel to the door. In the closed position, there is very little or no hardware projecting beyond the frame face in most situations.



Corner Bracket (1647)

This application can be used where top jamb and parallel arm application will not accommodate the door and frame conditions. Requires minimal top rail on the door; however, vertical clearance to the floor within the door opening should be checked to ensure code compliance. The close proximity, for this application, of the door closer to the door's pivot point reduces the door closer's power efficiency by approximately 25% when compared to a regular arm. The projection of the arm from the door face might pose questions regarding design parameters or environment.



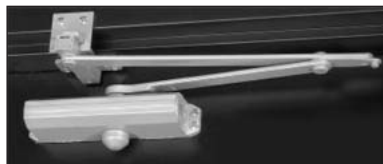
Parallel Rigid Arm (PR)

An enhanced variation of the standard parallel arm assembly that is intended for use in heavy traffic areas where auxiliary door stops are installed.



CloserPlus® Arm (CLP)

Similar to the Parallel Rigid arm, this arm incorporates a stop at the arm's soffit plate to dead stop the door at a predetermined degree of door swing between 85° and 110°, in 5° increments. Prior to dead stop the door closer's backcheck feature slows the door speed to reduce the impact of the stop action.



Unitrol® Arm (UNI)

Can be used for either parallel arm or top jamb applications. Unitrol arms combine the features of a double lever arm overhead door stop/holder with the backcheck feature of the door closer to reduce door stopping shock loads to a minimum. The Unitrol uses a compression spring buffer at the soffit plate/arm shoe that will absorb 30 lbf. of force, 5° prior to the door's dead stop. Coupled with the door closer's backcheck feature, this arm provides the most controlled stop available with a surface door closer. For parallel arm applications there are three different length arm assemblies. Each length is designed for a specific range of door widths, to provide precise door control. This further lessens the dead stop impact on the door's hinges/pivots.



CloserPlus Spring™ Arm (CPS)

This heavy-duty stop arm includes all the features of the CloserPlus arm, plus an added buffer spring that is compressed prior to the arm hitting the dead stop point. This greatly reduces the shock of the stopping action that occurs with the CloserPlus arm.

How to order

UNI	1601	H	689
Prefix	Model	Suffix	Finish

1700 Series

Intended for use on interior doors of apartments, hotels and other light-duty commercial buildings

Features

- Spring size 1, 2, 3, or 4
- Installs regular arm, parallel arm or top jamb
- Non-handed
- Independent adjustable sweep and latch speeds
- 5-year limited warranty

Optional Features

- Full cover
- Hold open arm
- Backcheck

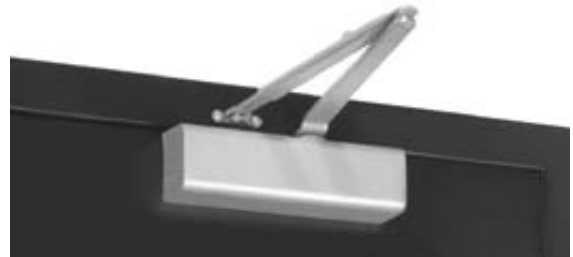
Compliance Standards

- ANSI/BHMA A156.4, Grade 2 certified
- UL listed
- UL10C compliant for positive pressure

Fasteners

SN - PR, CLP, CPS, UNI arms and slide tracks are shipped standard with sleeve nuts (SN) and self-drilling screws.

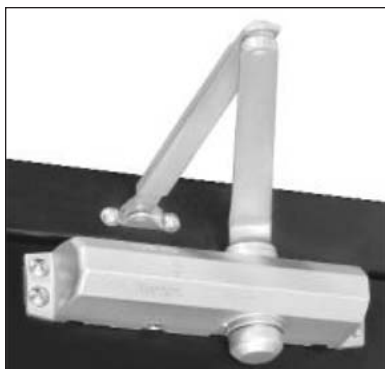
TBGN - Through-bolts and grommet nuts (TBGN) are another fastener alternative for wood doors. Specify door thickness 1-3/4" (44mm) or 1-3/8" (35mm) when ordering.



Shown with cover



Shown without cover



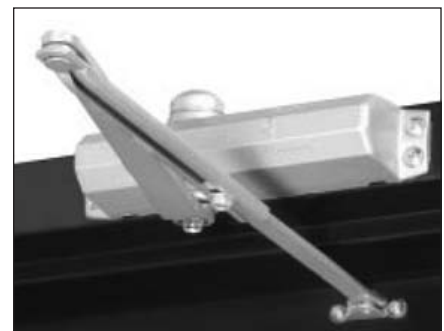
Regular Arm

Closer mounts on pull side of door; arm shoe on frame face.



Parallel Arm

Closer mounts on push side of door; parallel arm bracket on frame soffit.



Top Jamb

Closer mounts on push side of frame; arm shoe mounts to door.

How to order

1700

Model

H

Suffix

689

Finish

9300BC Series

Designed for commercial exterior and interior doors such as front store and industrial applications

Features

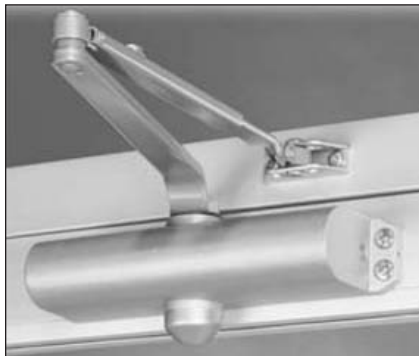
- Spring size 2, 3, 4 or 5
- Separate and independent valve for sweep speed and latch speed
- Adjustable backcheck standard
- Non-handed
- Regular and top jamb mount standard - no prefix
- 5-year limited warranty

Optional Features

- Friction hold open arm
- Parallel mount - "P" prefix

Compliance Standards

- ANSI/BHMA A156.4, Grade 3
- UL listed
- UL10C compliant for positive pressure



Regular Arm

This is the only pull-side application for the 9300BC series door closer. It is the most power-efficient application for a door closer. Sufficient frame, door and/or ceiling clearance must be considered.



Parallel Arm

This application provides the most appealing design appearance for the 9300BC series door closer. It is on the push side of the door and the arm assembly extends almost parallel to the door. In the closed position, there is very little or no hardware projecting beyond the frame face in most situations.



Top Jamb

For efficiency reasons this application provides the best alternative to the regular arm application. There must be sufficient frame face and/or ceiling clearance for this application. It requires a top rail on the door of just 1-7/8" (48mm). This application provides the best door control for doors in exterior walls that swing out of a building. It will accommodate frame reveals to a maximum of 2-7/8" (73mm).

How to order

1700

Model

H

Suffix

689

Finish

78B/F Series

Features

- Choice of adjustable spring power
B/D - Spring size 2, 3, or 4
E/F - Spring size 5 and 6
- Adjustable sweep/latch speed
- Adjustable backcheck cushioning
- Handed (Closer spring can be reversed in the field)
- 10-year limited warranty
- Aluminum Alloy

Optional Features

- Delayed action (DA units are handed; not field reversible)
- Heavy-duty arms available: Parallel Rigid and Unitrol

Compliance Standards

- ANSI/BHMA A156.4, Grade 3
- UL listed
- UL10C compliant for positive pressure
- ADA compliant (B/D unit can be adjusted to comply)

Prefix

UNI – Unitrol® Arm (specify door width)

MULTI-SIZE

B/D – Spring Size 2 thru 4

E/F – Spring Sizes 5 & 6

Suffixes

RA – Regular Arm

HA – Regular Arm, hold open

PA – Parallel Arm

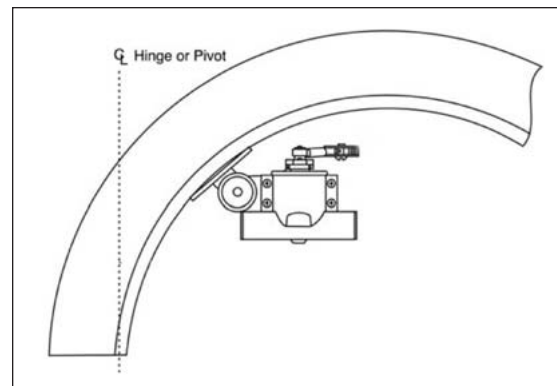
PHA – Parallel Arm, hold open

PRA – Parallel Rigid Arm, non-hold open

PRHA – Parallel Rigid Arm, hold open

H – Hold Open – Unitrol arm only

DA – Delayed Action – Regular arm NHO only. Handed not reversible



Fasteners

SN - PR, CLP, CPS, UNI arms and slide tracks are shipped standard with sleeve nuts (SN) and self-drilling screws.

TBGN - Through-bolts and grommet nuts (TBGN) are another fastener alternative for wood doors. Specify door thickness 1-3/4" (44mm) or 1-3/8" (35mm) when ordering.

How to order

UNI

Prefix

78

Model

B/D

Power Size

H

Suffix

RH

Hand

689

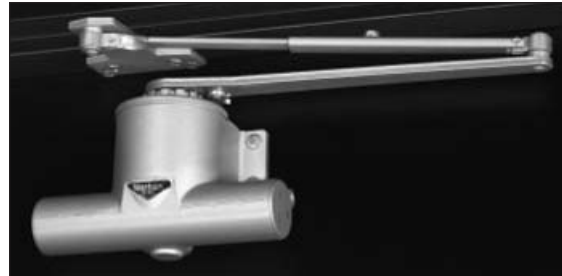
Finish

78B/F Series Arm Applications



Regular Arm (RA)

This is the only pull-side application where a double lever arm is used. It is the most power-efficient application for a door closer. Sufficient frame, door and/or ceiling clearance must be considered. Since the arm assembly projects directly out from the frame, this application may present an aesthetics issue or be prone to vandalism.



Parallel Arm (PA)

This application provides the most appealing design appearance for a surface-mounted door closer having a double lever arm. This also makes it beneficial in vandalism-prone areas. It is on the push side of the door and the arm assembly extends almost parallel to the door. In the closed position, there is very little or no hardware projecting beyond the frame face in most situations. Due to the geometry of the arm it is approximately 25% less power efficient than a regular arm application. The entire closer and arm assembly are mounted below the frame stop, requiring a top rail clearance on the door of 7-3/8" (187mm).



Parallel Rigid Arm (PRA)

An enhanced variation of the standard parallel arm assembly that is intended for use in heavy traffic areas where auxiliary door stops are installed. Hold open available - specify hand when ordering.



Unitrol® Arm (Parallel Arm applications only) (UNI)

Unitrol arms combine the features of a double lever arm overhead door stop/holder with the backcheck feature of the door closer to reduce door stopping shock loads to a minimum. The Unitrol uses a compression spring buffer at the soffit plate/arm shoe that will absorb 30 lbf. of force, 5° prior to the door's dead stop. Coupled with the door closer's backcheck feature, this arm provides the most controlled stop available with a surface door closer. For parallel arm applications there are three different length arm assemblies. Each length is designed for a specific range of door widths, to provide precise door control. This further lessens the dead stop impact on the door's hinges/pivots.

How to order

UNI	78	B/D	H	RH	689
Prefix	Model	Power Size	Suffix	Hand	Finish

7900/7970 Series

Applications

The 7900 Overhead Closers are best suited for high-profile applications such as office buildings or conference centers. The 7970 security closers offer the necessary concealment and tamper resistance required in detention and psychiatric facilities. Used in conjunction with the door position switch (DPS), it provides the ability to monitor door status remotely.



Features

- Steel track and slider
- Fully adjustable, multi-point hold open (7900)
- Shock-absorbing door stop
- Adjustable sweep and latch speeds
- Adjustable backcheck cushioning and positioning
- Handed
- Available as sized or multi-sized units
 - Sized closer - (4, 5 or 6); specify 7904, 7905 or 7906
 - Multi-sized - (1-6); specify 7900 interior or exterior
- Installs with butt hinges, offset or center hung pivots
- Installs in hollow metal, aluminum or wood doors and frames
- Torx® screws furnished standard (Order 7970DPS)
- 790 Fire Block
- 10-year limited warranty
- Aluminum Alloy

Optional Features

- Door Position Switch (7970DPS)
- Delayed action enhanced backcheck

Compliance Standards

- ANSI/BHMA A156.4, Grade 1 certified
- UL listed

How to order

7900

Model

H

Suffix

689

Finish

2800ST Series Cam Action Closer

Applications

The 2800ST Series is a cam action door closer for slide arm and track applications. The cam action design is ideal, as it provides much greater efficiency than a rack and pinion door closer for slide track applications. The cam action provides much lower opening resistance while delivering optimum closing force and control. The door closer's wide range of adjustable closing power permits use in the most demanding situations. The efficiency and flat power curve comply with the opening force requirements of the Americans with Disabilities Act (ADA). These door closers come standard with adjustable sweep speed and latch speed, closing control and adjustable backcheck cushioning in the opening cycle. The unobtrusive design is a good choice for architects and designers.



Features

- Smooth operation; efficient, powerful, heavy-duty
- Easier to open than rack-and-pinion door closers with track arms
- Slide track application with regular arm operating efficiency
- Slide track standard
- Adjustable spring size 1 through 6
- Adjustable closing force
- Adjustable closing and latching speed
- Backcheck standard
- Non-handed
- Push or pull side installation
- Cast aluminum body
- 10 year warranty

Optional Features

- Hold open (H - Suffix)

Door Sizes

- Suitable for exterior and interior doors
- Recommended maximum interior door width 54" (137cm)
- Recommended maximum door weight 250 lbs.
- Standard opening range (PS Prefix):
 - Push Side = 110°
 - Pull Side = 110°

Note: Door openings greater than 110° can be achieved when an auxiliary door stop (by others) is used. Consult factory for details and templates.

How to order

PS	2800ST	H	689
Prefix	Model	Suffix	Finish

7200 Series

Functions

Master Unit Series 7200MPD (S)

- Consists of a hook-up board to receive the power input, an integral smoke detector module and a door closer assembly with internal electro-hydraulic holder capability.
- Master unit can control a single door or one leaf of a pair of doors
- Slave unit is required on the opposite door leaf

Slave Unit Series 7200MPS (S)

- Identical in size and appearance to a Master unit, the Slave unit consists of a hook-up board to receive 24VDC power input from a Master unit and a door closer assembly with internal electro-hydraulic holder capability
- Unit is intended to control the inactive leaf of a pair of doors where the active leaf is controlled by a Master unit

Support Unit Series 7200MP (S)

- Shorter in length than the Master and Slave units, the Support unit contains a hook-up board to receive power input and a door closer assembly with internal electro-hydraulic holder capability
- Unit is intended to control single doors or both leaves on a pair of doors where the building's alarm system monitors the power to the Support unit

Executive Unit: RFI or RFS Suffix

- Unit is identical in size and appearance to a Master unit
- Unit contains a hook-up board to receive the power input, a 433MHz radio frequency receiver and a door closer assembly with internal electro-hydraulic holder capability
- Unit is intended to provide remote wireless release of a door that has been manually placed into the electrified hold open position
- Not intended for use in life safety applications



Features

- Multi-point hold open
- Pull- or push-side mounting
- Handed
- Closer size 3, 4 or 5
- Selective hold open (S suffix) - door will hold open at any degree of opening beyond a pre-set hold open point, up to 175°. Maximum opening 180°. Factory set at 80°
- Voltage - 24VAC/DC or 120VAC
- Detected or non-detected units available
- 2-year limited warranty

Optional Features

- Radio Frequency - RFI (infinite) or RFS (selective) - RF units are not UL listed for fire doors
- Free Swing arm (7240 pull side only)

Compliance Standards

- ANSI/BHM

How to order

7200

Model

H

Suffix

689

Finish

120VAC

Voltage

7700 Series Power Track®

Features

- Selective single-point hold open
- Spring cushioned dead stop
- Spring size 5; order 7705
- 24 VAC/DC or 120VAC, 60Hz
- Pull/Push installations - Prefix "P" for push-side installation
- Fail-safe operation
- Available with or without smoke detector
- 2-year limited warranty

Compliance Standards

- ANSI/BHMA A156.15, certified
- UL listed (All Slave and Support units are all UL listed for application with any compatible UL listed fire/smoke detection equipment)



Functions

Master Unit-PTD

- Unit comprised of integral smoke detector and solenoid hold open mechanism in the slide track, a hook up box and door closer
- Can be used to control a single door or a pair of doors in conjunction with either a Slave or Support unit
- Suffix "PTD" to model number

Slave Unit-PTS

- Unit is for installation on one leaf or a pair of doors then the other leaf if controlled by a "PTD" Masterunit
- Unit is composed of a solenoid hold open mechanism (in the slide track), hook-up box and a door closer
- Unit will only operate on 24VDC power from the Master unit
- Suffix "PTS" to model number

Support Unit-PT

- Unit is comprised of a solenoid hold open mechanism in the slide track, hook-up box and a door closer
- Units can be installed on a single door or a pair of doors when controlled by compatible UL listed detection equipment such as area ceiling detectors, pull stations or remote alarm panels
- Can also be used in conjunction with a Master unit on a pair of doors
- Support unit must be 24VDC
- Suffix "PT" to model number

How to order

Please call a Dugmore & Duncan Sales Technician For Assistance

5700 Series LEO® Power Operators

Standard Features

- Ease of installation and setup
 - Simple instructions
- Application versatility and ease of adjustment
 - Push- or pull-side mounting available
- Operates as mechanical surface closer during close cycles or when door is opened manually or if power is turned off
 - Quiet operation
 - Acceptable for fire-rated doors
 - Spring force provides the feel of a normal manual door closer
 - Door can be opened manually if desired
- Norton® 1600 series door closer
 - Adjustable spring power
 - Backcheck valve
 - Sweep valve & latch valve
- Non-handed
- Unit Activation Options
 - Wall switches
 - Motion sensor
 - Radio frequency device
- End-User On/Off Switch
- Hold Open options
 - 0-30 seconds (5 seconds minimum required for ADA and ANSI A156.19)
- Obstruction Detection
 - Motor stops if door is obstructed during an opening
 - Door closes under manual spring force



Electrical Data

- Power Input: 120 VAC, 60Hz
- Current Draw: .6A
- Relay Output: DPDT
 - Normally Open/Normally Closed (jumper)

Specifications

- C-UL US listed for use on fire and smoke barrier doors
- 1-year warranty
- Meets requirements for Americans with Disabilities Act (ADA)
- ANSI/BHMA A156.19 (Low Energy Operators) certified
- Meets ANSI/BHMA A156.4 requirements

RFI - Accessories

RFI - Radio Frequency



Radio Frequency Kit
571KIT

- Radio Frequency Receiver (433 MHz)
- 24 VDC power supply
- Activation switches not included.
- Order 572, 581, 582, 574 or 576 separately.



- **581:** Single Channel
- **582:** Two Channel



Key FOB
572



Motion Sensor #663

- 4-3/4" x 3-3/16" x 2" projection
- Unidirectional
- Black cover
- SPDT relay
- Adjustable angle pattern
- 24 VDC input
- Must not be placed where motion of door can be sensed



574, 685 575, 576

- 6-5/8" square (box); 8-1/8" square (trim)
- 9 volt battery
- Temperature: -4° F to 122° F
- 15 amp @ 125VAC
- Flush or surface^ mounted
- Stainless steel with blue letters
- 574 and 576 - radio frequency (433MHz)
- Used with RF1 option and 571KIT

How to order

5710	RFI	689
Model	Suffix	Finish

6900 Series PowerMatic® Low Energy Power Operator

The Norton® 6900 PowerMatic® is a “Low Energy” power door operator designed to automatically open and close doors with a low energy opening force. It functions using an A/C motor and hydraulic pump to activate a heavy-duty hydraulic door closer controlled by an Electronic Control Module (ECM) board.

- Application versatility and ease of adjustment
 - Handed units
 - Push- or pull-side mounting
 - Interfaces with electric hardware and integrates with access control systems
- Holds Open options
 - 0-30 seconds (5 seconds minimum required for ADA and ANSI A156.19)
 - Choice of infinite hold open features
- Obstruction Detection
 - Door closes if it hits an obstruction while opening
 - Door re-opens once if it hits an obstruction while closing

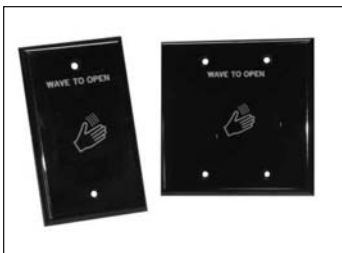
Electrical Data

- Power Input: 120 VAC, 60 Hz (+10%, -15%)
- Current Draw 2A
- Auxiliary Output 24 VDC @ .5A
- SPDT relay output for controlling electric strikes or electric locks not to exceed 1 amp @ 30 VDC

RFI - Radio Frequency



RF1 – Radio Frequency Option
A Radio Frequency receiver factory wired and mounted, used to control the PowerMatic from a remote location. Wireless. Requires the 574, 576 or 577 (sold separately). 687 KIT – Radio Frequency Option also available.



697 - Touch Less Wall Switch

Norton Door Controls is pleased to announce the addition of the 697 touch less wall switch. The 697 can be used with the 5700 Series LEO® and the 6900 Series PowerMatic® operators. Easy to install and set up, the switch utilizes Doppler radar and is shipped standard with single gang and double gang covers. The 697 is an effective option to standard wall switches since physically activating the switch is not necessary. Users can simply walk or roll their wheelchairs near the switch to activate.



Features and Functions

- Norton 7500 series door closer
 - Adjustable spring power
 - Backcheck valve
 - Backcheck position valve
 - Sweep valve
 - Latch valve
 - Speed control valve
 - Pressure adjustment valve
- Power assist selector switch
- Push and go selector switch
- Motor startup delay adjustment
- Vestibule function delay adjustment (For sequencing two or more units)
- Door hold open delay adjustment
- Single pole double throw (SPDT) relay output
- Blow open function for smoke ventilation
- Presence detector input
- 24 VDC @ 1.2A output
- Selector mode switch (3 position)
 - OFF – Disables signal except blow open. Unit still powered.
 - ON – Activates signal inputs for normal use.
 - HOLD OPEN – Activates the unit to the hold open position indefinitely.

How to order

6910	LH	RFI	689
Model	Hand	Option	Finish