

Securitron® Magnalock Corporation, founded in 1981, is the world's leading manufacturer of electromagnetic locks, including innovative Magnalock. The Sparks, Nevada-based company produces a full array of supplemental electric and electromechanical products such as power supplies, digital entry keypads, immediate and delayed electronic exit packages, push buttons, and key switches. These products are designed to integrate into electronic access and egress control systems on commercial openings.

Magnalock	261 - 262
UnLatch Strikes	263 - 264
Touch Sense Bar	265
Touch Sense Handle & Plate	266
Stand Alone Battery Lock	267
Digital Keypads	268
Push Buttons	269 - 270
Power Supplies	271 - 272
Electro-Mechanical Gate Lock	273

SECURITRON®

Magnalocks

Magnalocks are designed to secure any type of door or gate that closes against a fixed stop. The product consists of an electromagnet that mounts on the moving door or gate. The strike plate is delivered with fasteners that permit it to flex so when the door closes, it automatically self aligns with the magnet. Magnetic force then takes over, strongly securing the door. Release is achieved by switching off power to the magnet.

Hardwiring Made Easy®



Learn more on page 3

M32 600lb Holding Force Magnalock



Features and Benefits

- Instant release circuit - no residual magnetism
- Surface mounts easily with a minimum of tools
- Fully sealed electronics - tamper proof and weatherproof
- Mounted using steel machine screws into blind finishing nuts
- Architectural brushed stainless steel finish (US32D/630)
- All ferrous metal surfaces plated to MIL specification
- Hardware accessories available to configure any opening type include mounting brackets, housings and dress covers
- Ten feet [3.05m] of jacketed, stranded conductor

Specification Data

Holding Force: 600 lbs. [272 Kg.]
Current Draw and Voltage: 300mA at 12VDC; 150mA at 24VDC
Operating Temperature: -40 to +140F [-40 to +60C]
Warranty: MagnaCare Lifetime Replacement Warranty

M34 600lb Holding Force Magnalock



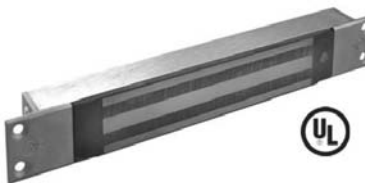
Features and Benefits

- Instant release circuit - no residual magnetism
- Surface mounts easily with a minimum of tools
- Fully sealed electronics - tamper proof and weatherproof
- Mounted using steel machine screws into blind finishing nuts
- Architectural brushed stainless steel finish (US32D/630)
- All ferrous metal surfaces plated to MIL specification
- Hardware accessories available to configure any opening type include mounting brackets, housings and dress covers
- Ten feet [3.05m] of jacketed, stranded conductor
- Automatic dual voltage - no field adjustment required

Specification Data

Holding Force: 600 lbs. [272 Kg.]
Current Draw and Voltage: 350mA at 12VDC; 175mA at 24VDC
Operating Temperature: -40 to +140F [-40 to +60C]
Warranty: MagnaCare Lifetime Replacement Warranty

M34R 600lb Holding Force Magnalock



Features and Benefits

- Instant release circuit - no residual magnetism
- Recessed for aesthetically appealing finish
- Fully sealed electronics - tamper proof and weatherproof
- Mounted using steel machine screws into blind finishing nuts
- Architectural brushed stainless steel finish (US32D/630)
- All ferrous metal surfaces plated to MIL specification
- Ten feet [3.05m] of jacketed, stranded conductor
- Automatic dual voltage - no field adjustment required

Specification Data

Holding Force: 600 lbs. [272 Kg.]
Current Draw and Voltage: 350mA at 12VDC; 175mA at 24VDC
Operating Temperature: -40 to +140F [-40 to +60C]
Warranty: MagnaCare Lifetime Replacement Warranty

How to order

M32

Model

12

Voltage

Magnalocks

M38 600lb Holding Force Magnalock



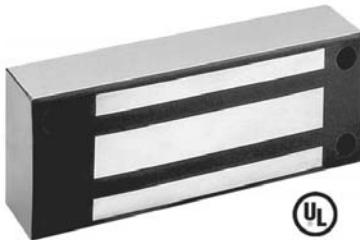
Features and Benefits

- Instant release circuit - no residual magnetism
- Surface mounts easily with mounting bracket using a minimum of tools
- Internal wire access chamber
- Mounted using steel machine screws into blind finishing nuts
- Brushed aluminum finish
- All ferrous metal surfaces plated to MIL specification
- Automatic dual voltage - no field adjustment required

Specification Data

Holding Force: 600 lbs. [272 Kg.]
Current Draw and Voltage:
350mA at 12VDC; 175mA at 24VDC
Operating Temperature:
-40 to +140F [-40 to +60C]
Warranty: MagnaCare Lifetime Replacement Warranty

M62 1200lb Holding Force Magnalock



Features and Benefits

- Instant release circuit - no residual magnetism
- Fully sealed electronics - tamper proof and weatherproof
- Mounted using steel machine screws into blind finishing nuts
- Architectural brushed stainless steel finish (US32D/630)
- All ferrous metal surfaces plated to MIL specification
- Hardware accessories available to configure any opening type include mounting brackets, housings and dress covers
- Ten feet [3.05m] of jacketed, stranded conductor
- Automatic dual voltage - no field adjustment required

Specification Data

Holding Force: 1,200 lbs. [544 Kg.]
Current Draw and Voltage:
250mA at 12VDC; 125mA at 24VDC
Operating Temperature:
-40 to +140F [-40 to +60C]
Warranty: MagnaCare Lifetime Replacement Warranty

M68 1200lb Holding Force Magnalock



Features and Benefits

- Instant release circuit - no residual magnetism
- Surface mounts easily with mounting bracket using a minimum of tools
- Internal wire access chamber
- Mounted using steel machine screws into blind finishing nuts
- Brushed aluminum finish
- All ferrous metal surfaces plated to MIL specification
- Automatic dual voltage - no field adjustment required

Specification Data

Holding Force: 1200 lbs. [544 Kg.]
Current Draw and Voltage:
300-325mA (options) at 12VDC
150-175mA (options) at 24VDC
Operating Temperature:
-40 to +140F [-40 to +60C]
Warranty: MagnaCare Lifetime Replacement Warranty

M82 1800lb Holding Force Magnalock



Features and Benefits

- Instant release circuit - no residual magnetism
- Surface mounts easily with a minimum of tools
- Fully sealed electronics - tamper proof and weatherproof
- Mounted using steel machine screws into blind finishing nuts
- Architectural brushed stainless steel finish (US32D/630)
- All ferrous metal surfaces plated to MIL specification
- Hardware accessories available to configure any opening type include mounting brackets, housings and dress covers
- Ten feet [3.05m] of jacketed, stranded conductor
- Automatic dual voltage - no field adjustment required

Specification Data

Holding Force: 1,800 lbs. [816 Kg.]
Current Draw and Voltage:
350mA at 12VDC; 175mA at 24VDC
Operating Temperature:
-40 to +140F [-40 to +60C]
Warranty: MagnaCare Lifetime Replacement Warranty

How to order

M62

Model

12

Voltage

UnLatch® Strike (UNL)

Application - UnLatch is for any application where an electric strike would be used for a cylindrical/tubular lockset. UnLatch supports full dead latch function, releases under pressure and includes a latch status monitoring output.

Hardwiring Made Easy®



Learn more on page 3



Features and Benefits

- Now available in Polished Brass! (US3)
- Fits standard ANSI 4-7/8" strike cutout
- No cutting on the jamb required
- Motorized, no solenoids
- Fully concealed installation
- Maintains dead-latch function at all times
- Continuous duty
- Releases under pre-load
- Latch status sensor is standard (SPDT)
- UL Listed

Specification Data

Current Draw:

12VDC-40mA continuous, minimum 300mA when operating 24VDC-40mA continuous, minimum 200mA when operating Higher capacity supply (1-3 Amps) is recommended for startup inrush to achieve best operation under pre-load

Operating Temperature: -20 to +125F [-29 to +52C]

Warranty: MagnaCare Lifetime Replacement Warranty

How to order

UNL

Model

12

Voltage

Mortise UnLatch® Strike (MUNL)

Application - Mortise UnLatch is for any application where an electric strike would be used for a mortise type lock. The Mortise UnLatch includes field adjustability for latch and deadlatch positions, releases under pressure and includes a latch status monitoring output.



Hardwiring Made Easy®



Learn more on page 3

Features and Benefits

- Now available in Polished Brass! (US3)
- Fits standard ANSI 4-7/8" strike cutout
- No cutting on the jamb required
- Motorized, no solenoids
- Fully concealed installation
- Maintains dead-latch function at all times
- Continuous duty
- Releases under pre-load
- Latch status sensor is standard
- One model works with most North American Mortise Locks (Sargent 7800 and 8200 require tab kit model #STK-1 for retrofit installations)
- UL Listed

Specification Data

Current Draw:

12VDC-40mA continuous, minimum 700mA when operating 24VDC-40mA continuous, minimum 500mA when operating Higher capacity supply (1-4 Amps) is recommended for startup inrush to achieve best operation under pre-load

Operating Temperature: -20 to +125F [-29 to +52C]

Warranty: MagnaCare Lifetime Replacement Warranty

How to order

MUNL

Model

12

Voltage

Touch Sense Bar (TSB-3)

Application - The Touch Sense Bar is for use on magnetically locked, non fire-rated doors. Touching the bar, even through light gloves or clothing, trips an electronic sensor which releases the lock. For indoor use only, the TSB-3 can be installed on metal, aluminum, or wood frame doors of all types. Meets “no special tools or knowledge” code requirements.



Hardwiring Made Easy®



Learn more on page 3

Features and Benefits

- 3 standard lengths: 36", 42" or 48"
- Can be field cut to accommodate non-standard openings up to 48" [1219mm]
- Activates a DPST 2 Amp rated relay when touched (no mechanical movement) which will allow free egress or initiate the delay on an exit delay timer
- Backup push button
- 16 ft. [4.8m] 22AWG 6 conductor cable and stainless steel armored door cord are included
- Operates on either 12 or 24 VDC
- UL Listed

Specification Data

Current Draw: 40mA at rest, 25mA releasing

Voltage: 12 or 24 VDC

Operating Temperature: +32 to +110F [0 to +43C]

Warranty: MagnaCare Lifetime Replacement Warranty

How to order

TSB-3

Model

42

Door Size

CL

Finish

Touch Sense Handle (TSH)

Application - Sized to cover up existing mounting holes, the TSH is used for standard pulls on aluminum doors. It is employed to open inswinging doors or as an alternate push-open device for inswinging and outswinging doors, providing a different look on aluminum frame glass doors. For indoor use only.

Hardwiring Made Easy®



Learn more on page 3



Features and Benefits

- For use on any push, pull or swing-through door
- Activates a DPST 2 Amp rated relay when touched (no mechanical movement) which allows free egress
- Backup push button
- A 16 ft. [4.8m] 22AWG 6 conductor cable and stainlesssteel armored door cord included
- Operates on either 12 or 24 VDC
- UL Listed

Specification Data

Current Draw: 40mA at rest / 25mA releasing
Voltage: 12 or 24 VDC
Operating Temperature: +32 to +110F [0 to +43C]
Warranty: MagnaCare Lifetime Replacement Warranty

Touch Sense Plate (SP-1)

Application - The SP-1 uses patented touch sensing technology to create a push panel with no moving parts. For indoor use only, the unit is oversized so that it can be mounted over a single gang cut-out. A three part vinyl decal is included and a red LED is incorporated in the backbox.



Features and Benefits

- DPST 2 Amp rated relay
- Internal 0-25 second timer
- Built in redundant button

Hardwiring Made Easy®



Learn more on page 3

Specification Data

Current Draw: 40mA at rest, 25mA releasing
Voltage: 12 or 24 VDC
Operating Temperature: +32 to +110F [0 to +43C]
Warranty: MagnaCare Lifetime Replacement Warranty

How to order

TSH

Model

12

Voltage

CL

Finish

Stand Alone Battery Lock (SABL)

Application - Engineered for high-traffic access control, SABL is perfect for new construction, or retrofitting educational facilities, commercial buildings and hospitals. Tampering with, or even destroying the keypad will not release the door.



Hardwiring Made Easy™



Learn more on page 3

Features and Benefits

- Based on the award winning and popular DK-26 keypad programming
- 6AA batteries (included) tested to over 100,000 cycles, two year battery life
- Fits in a standard ANSI 2 3/4" backset
- Weatherproof keypad with true 10 digit functioning
- Yale Grade 1 lock, "Freewheeling" and vandal resistant
- Non-handed, available with PB handle (standard), or AU handle (26D only)
- 55 users codes, 2 passage codes and 2 lockout codes
- Request To Exit (REX) input
- Keyways available:
 - KIL (Key In Lever) format** - Sargent LA, Yale Y8, Schlage SC1
 - IC (Interchangeable Core) format** - Best IC Core Prep (cylinder not included)
 - RC (Removeable Core) format** - ASSA, Medeco, Sargent, Corbin Russwin, Schlage SI
- Remote release input via normally open switch relay
- Four attractive architectural finishes available

Specification Data

Batteries: 6AA alkaline batteries (included)
Operating Temperature:
 -22 to +158F [-30 to +70C]
Warranty: MagnaCare Lifetime Replacement Warranty

SABL-NLK (SABL-No Lock)

Application - SABL-NLK provides SABL technology for use with your own lockset.



Features and Benefits

- Weatherproof keypad, no special kit required
- Based on Securitron's popular DK-26 keypad and programming
- Stand alone and battery operated, 6AA batteries included
- Circuit board provides for up to 55 users, 2 passage codes and 2 lockout codes.
- Available in 4 finishes- US26D, US26, US10B and US03.
- Proven compatibility with the Yale 5496 Electrified Cylinder Lock and the Sargent 10 Line Electrified Series (part # 10-2642)

How to order

SABL

Model

26D

Finish

SGT

Lever Style

Digital Keypads

DK-11 Digital Keypad



Features and Benefits

- Stainless steel backplate with 12 keys (10 digits plus "*" and "#" keys)
- One piece digital keypad specifically designed for control of electric locks
- Single gang, stainless steel plate with plastic backbox
- Includes 4 user code capability which is programmable from the keypad
- 5 Amp SPDT timed, control relay output
- Two LEDs are furnished
- Both LEDs also provide programming prompt
- Red and Green LEDs are visible indicators
- Optional weather cover available
- Request to Exit (REX) input

Specification Data

Current Draw: 70mA
Voltage: 12 or 24 VDC
Operating Temperature: +32 to +110F [0 to +43C]
Warranty: MagnaCare Lifetime Replacement Warranty

Hardwiring Made Easy®



Learn more on page 3

DK-16 Digital Keypad



Features and Benefits

- Stainless steel plate
- Telephone-type keypad with engraved and paint filled numbers in plastic keys on a single gang box
- Red, green and a yellow LED mounted on the face
- Digital Keypad System circuit board is a remote unit for increased security
- Digital Keypad System circuit board mounts in a metal enclosure provides for multiple users - 59 or expandable to 119
- Wiegand output available
- User code and/or hard code disable feature
- 5 Amp DPDT relay output for lock control and alarm shunt, camera call-up or other device interface, REX input
- True 10 digit operation (keys are not paired), 3 LEDs and a beeper

Specification Data

Current Draw:
7mA@ rest, 160mA active, 12VAC or VDC
20mA@ rest, 190mA active, 24VAC or VDC
Voltage: 12 or 24 VDC
Operating Temperature: CPU +32 to +158F [0 to +70C]
Keypad +32 to +110F [0 to +43C]
Warranty: MagnaCare Lifetime Replacement Warranty

Hardwiring Made Easy®



Learn more on page 3

DK-26 Digital Keypad



Features and Benefits

- Cast stainless steel with 11 EPDM rubber keys
- Weather proof and vandal resistant
- Mounts on a narrow mullion
- True 10 digit operation (keys are not paired)
- Wiegand output available
- Remote circuit board is mounted in metal enclosure and provides for multiple users - 59 or expandable to 119
- User code and/or hard code disable feature
- 5 Amp DPDT relay output for lock control and alarm shunt, camera call-up or other device interface, REX input
- 16 ft. [4.8m], 12 conductor, 22 guage keypad cable
- 3 LEDs and a bell button

Specification Data

Current Draw:
7mA@ rest, 160mA active, 12VAC or VDC
20mA@ rest, 190mA active, 24VAC or VDC
Voltage: 12 or 24 VDC
Operating Temperature: CPU +32 to +158F [0 to +70C]
Keypad -22 to +158F [-30 to +70C]
Warranty: MagnaCare Lifetime Replacement Warranty

How to order

DK-16

Model

Push Buttons



PB

- PB** 1-1/2" Round Momentary, DPST, Green Button, Illuminated
- PBA** 1-1/2" Round Alternate, DPST, Green Button, Illuminated
- PBR** 1-1/2" Round Momentary, DPST, Red Button, Illuminated
- PBRA** 1-1/2" Round Alternate, DPST, Red Button, Illuminated

Hardwiring Made Easy®



Learn more on page 3



PB2

- PB2** 2" Square Momentary, SPDT, Green, Illum.
- PB22** 2" Square Momentary, DPDT, Green, Illum.
- PB2H** 2" Square Momentary, SPDT, Blue Button, Illuminated, Handicap
- PB2E** 2" Square Momentary, SPDT, Green Button
- PB2EH** 2" Square Momentary, SPDT Blue Button, Handicap



PB2H



PB2E



PB2EH



PB3

- PB3** 1" x 3/4" Rectangle Momentary, DPST, Illum.
- PB3A** 1" x 3/4" Rectangle Alternate, DPST, Illum.
- PB3E** 1" x 3/4" Rectangle Momentary, DPST
- PB3EA** 1" x 3/4" Rectangle Alternate, DPST
- PB3ER** 1" x 3/4" Momentary, DPST, Surface Mount
- PB3EAR** 1" x 3/4" Alternate, DPST, Surface Mount

Hardwiring Made Easy®



Learn more on page 3



PB3N

- PB3N** 1 x 3/4" Rectangle Momentary, DPST, Green Button, Illuminated, Narrow Stile
- PB3AN** 1 x 3/4" Rectangle Alternate, DPST, Green Button, Illuminated, Narrow Stile
- PB3EN** 1 x 3/4" Rectangle Momentary, DPST, Green Button, Narrow Stile
- PB3EAN** 1 x 3/4" Rectangle Alternate, DPST, Green Button Narrow Stile

Hardwiring Made Easy®



Learn more on page 3

How to order

PB2

Model

Push Buttons



PB4

- PB4** 1" Stainless Momentary, SPDT, Bi-color LED
- PB4-2** 1" Stainless Momentary, DPDT, Bi-color LED
- PB4A-2** 1" Stainless Alternate, DPDT, Bi-color LED
- WCC** Weather Cover Single Gang
- WBB** Gasketed Back Box Single Gang

Hardwiring Made Easy®



Learn more on page 3



PB4N

- PB4AN-2** 1" Stainless Momentary, SPDT, Bi-color LED, Narrow Stile
- PB4N** 1" Stainless Momentary, DPDT, Bi-color LED, Narrow Stile
- PB4N-2** 1" Stainless Alternate, DPDT, Bi-color LED, Narrow Stile

Hardwiring Made Easy®



Learn more on page 3



PB5

- PB5** 2" Round Momentary Red Button, DPDT, Illuminated
- PB5E** 2" Round Momentary Red Button, DPDT

Hardwiring Made Easy®



Learn more on page 3



EEB2

- EEB2** 2" Square Emergency Exit Green Button

Hardwiring Made Easy®



Learn more on page 3



EEB3N

- EEB3N** Emergency Exit Green Button,
Narrow Stile

Hardwiring Made Easy®



Learn more on page 3

How to order

PB4

Model

Power Supplies

Self Monitoring Power Supply (BPSM)

Application - When interfacing with a fire alarm system where the system's auxiliary relay cannot handle the full current potential of the power supply, or when monitoring power systems for AC failure or DC battery failure, the BPSM linear power supply is the right choice. The power supply status LED indicators and status output terminals combine with BPS features to offer the next stage of protection.



Features and Benefits

- Provides eight (8) automatically breakered outputs
- Slide switches connect or disconnect load from power
- LED indication (AC & DC) showing power supply status
- Emergency low current fire release terminals
- AC status output terminals, SPDT, 3 Amp
- Battery status output terminals, Form C SPDT, 3 Amp
- Line voltage and DC fuses
- Sealed lead acid-gel battery charging capability
(battery not included)
- During battery operation, if voltage drops below 10.4VDC for 12VDC (20.8VDC for 24VDC) the battery will automatically disconnect to prevent possible damage to the system
- Clean linear power for flawless operation with all sensitive active electronic components

Boxed Power Supply (BPS, BPSH)

Application - Recommended where an interface with a fire alarm system or battery backup is needed. The BPS linear power supply delivers more current than PSPs or PMs, and all BPS models are UL Class 2 listed, allowing for wire runs without the use of conduit from power supply to door. The BPSH series operates with 220VAC.



Features and Benefits

- 1, 4 or 8 separate output circuit breakers based on model
- LEDs monitor zone status (voltage, no voltage)
- Slide switches connect or disconnect load from power
- Internal capability of charging optional 12 or 24 VDC sealed lead acid backup batteries while operating the DC load
(battery not included)
- Complete! Requires only 110VAC to the fused input (BPS)
- Rugged steel enclosure
- Provided with terminals, for fire alarm relay connection, allowing release of all devices upon fire alarm activation
- Clean linear power for flawless operation with all sensitive active electronic components
- UL listed

How to order

BPS	24	2
Model	Voltage	Amps

Power Supplies & Accessories

Power Supply Monitor (PSM)

Application - The PSM Series Power Supply Monitor is for use with larger DC power supplies. It can operate with all BPS supplies having capacities of 2 Amps or more, and functions as a power supply alarm system, monitoring all key functions and reporting any trouble. The output voltage is read to ensure it remains within tight limits for proper float charging of the battery pack.

Features and Benefits

- Available for both 12 and 24 VDC systems
- Monitors the power supply system's output voltage
- Audio and visual alarm
- Load tests the battery pack every 8 hours
- Monitors/tests DC output of power supply load

Specification Data

Recommended Power Supplies:

PSM-12-3 Amp or greater at 12VDC

(BPS-12-3, BPS-12-45, BPS-12-6, BPS-12-9, BPS-12-15)

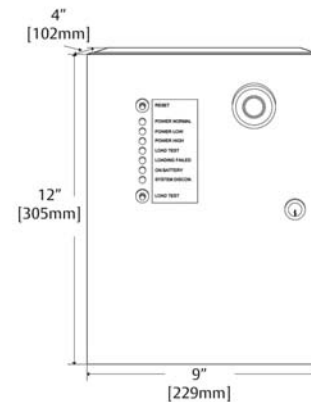
PSM-24-2 Amp or greater at 24VDC

(BPS-24-2, BPS-24-3, BPS-24-4, BPS-24-6, BPS-24-10)

Voltage: VDC power from corresponding power supply

Current Draw: 250mA at 12VDC, 200mA at 24VDC

Warranty: MagnaCare Lifetime Replacement Warranty



(PSP) Plug-in DC Regulated Switching Power Supply

Application - Wall mounted DC power. 12 volts @ 3AMP max. capacity (model PSP-12-3) and 24 volts @ 1.5AMP max. capacity (model PSP-24-1.5). 6 ft. output cable is included. Input voltage 120 to 220 VAC. PSPs are ideal for powering a wide range of DC devices.

Features and Benefits

- Switchmode regulated power
- 36 watts continuous output
- 6 ft. [1.8m] output cable included
- 1.7" x 1.1" x 4.1" with folding two prong AC connector
- UL Listed



How to order

PSM

Model

24

Voltage

2

Amps

GL1-FL Electro-Mechanical Gate Lock

Application - The GL1 electro-mechanical gate lock is designed to secure a wide variety of vehicle and pedestrian gate application where security and weather resistance are required.

The GL1 functions equally well in both electrically and manually operated gate installations and can be used for swing gates, sliding gates, stock gates or other applications.

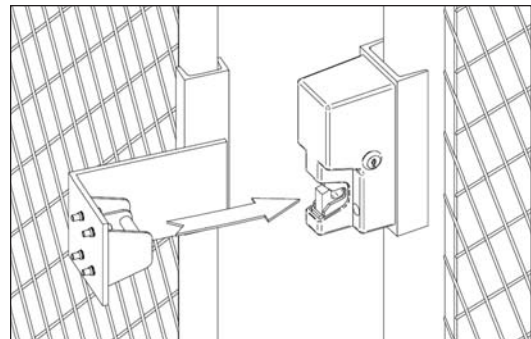


Features and Benefits

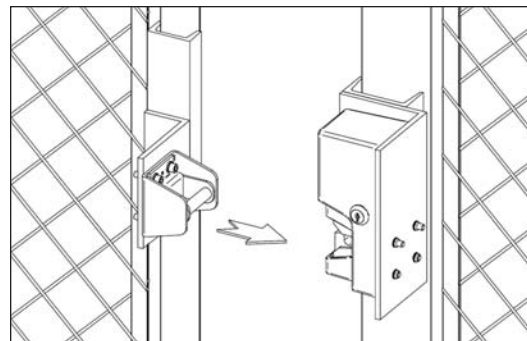
- 2,000 lb. holding force
- Operates under preload up to 100 lbs.
- Automatic dual voltage – no field adjustment required
- Fail safe and fail locked versions available
- Manual key override
- Tamper proof cast aluminum housing
- Hardened steel latch
- Weather resistant

Specification Data

Holding Force: 2000lbs. (907Kg.)
Current Draw and Voltage: 12 Volts
Initial (Peak): (~2.0 sec.) @700mA
Reduced: 200 mA 24 Volts
Initial (Peak): (~2.0 sec.) @700mA
Reduced: 120 mA



Swinging Gate Mount



Sliding Gate Mount

How to order

GL1 FL

Model

