

Out of the blue

Turn Your HID/INDALA Access Control into a Biometric Reader

SARGENT® BioFob



The BioFob Security Device is a wireless, biometric personal identification device that provides identity verification using fingerprint biometrics. Since no two fingerprints are identical, biometric verification significantly heightens security levels by ensuring that the intended and authorized user of the device is the only person for whom the device will function.

BioFob integrates easily with existing RF infrastructures, making it simple to overlay biometric verification into existing access control systems. The device is compatible with HID Prox and Indala RFID systems. No wiring is required. All fingerprint capture, encoding, processing and verification is done on the BioFob, and the user's credentials, not their biometrics, are transmitted wirelessly to the card reader.

What's Inside:

- 2 SARGENT DL Series / Studio Collection
- 3 SARGENT Bradford 7900 Mortise / Studio Collection
- 4 SARGENT 1431 Series Powerglide Door Closer
- TS SARGENT Next Generation 56 - ELR
- TS MCKINNEY Continuous Hinges

Features and Benefits

- All fingerprint capture, processing, storing and verification is done on the BioFob
- No centralized biometric database is required, solving many privacy concerns
- Uses Bluetooth technology during programming
- Provides biometric security for physical access without delaying entry at security checkpoints
- Releases signal after verifying user's identity
- Easily integrated into logical security applications

Pull Plate for the **SARGENT® 480 Series** Deadbolts



In some applications a door may only have a deadbolt installed on it. This may be difficult to open and close with just the key since there may not be something to grab onto.

The **DD 1484 AL** Pull Plate for the SARGENT 480 series deadbolt is a simple device that installs flawlessly between the door and the deadbolt allowing the user to open and close the entrance with ease.



Out of the Blue
READER
RESPONSE
CARD

Please send me the following literature:

- Dugmore & Duncan Full Line Catalog
- SARGENT Condensed Catalog
- SARGENT BioFob
- SARGENT Bradford 7900 Mortise Lockset
- SARGENT Next Generation 56 - ELR
- SARGENT 1431 Series Powerglide Door Closer

COMPANY NAME _____

LINE OF BUSINESS _____

CONTACT PERSON _____

STREET ADDRESS _____

CITY _____

STATE _____ ZIP/POSTAL CODE _____

PHONE _____

EMAIL ADDRESS _____

Style and Function

We are pleased to present SARGENT's new DL Series of bored locks and the Bradford Series 7900 mortise lock.

These two series were designed to provide a strong level of quality without compromising value, security and life safety. Designed for ease of installation with the quality you expect from the SARGENT name. These series incorporate with SARGENT's new Studio Collection (shown below), the Coastal Series, and classic lever selection.

The DL Series will meet and exceed the expectations of the most demanding architects and design professionals. Ideal interior applications include high-end apartments and condos.

The SARGENT Bradford Series 7900 mortise lock offers a ANSI/BHMA Grade 1 lock for less demanding applications. Ideal for light commercial applications; multi-family, apartment, and military housing; assisted living and a variety of other facilities.

SARGENT® DL Series Tubular Lock



General Information

- For doors 1 3/8" (35mm) to 1 3/4" (44mm) thick standard.
- ANSI Standard, 2 3/4" backset with 1" front
- Latchbolt brass 1/2" (12.7mm) projection
- Specify hand of lock on order; easily field reversible
- Optional 2 3/8" backset latch available

Functions and Finishes

- 4 Functions available including
 - passage (15)
 - privacy (65)
 - single lever pull (93)
 - double lever pull (94)
- Finishes: 03, 04, 09, 10, 10B, 10BL, 15, 20D, 26, 26D, 32 & 32D

SARGENT®
Studio collection

The Studio Collection establishes SARGENT as the only single-source company in the industry offering designer lever handles across all product lines. Selection and specification are easy! You can choose now from a wide selection of designer levers and hardware that were meant to go together—mortise and tubular locks, to access control locks, exit devices and master key systems.

These beautifully crafted lever handles offer exceptional elegance to the high-end design markets—including residential and office buildings, museums, upscale hotels and resorts, and condo-hotel projects.

elements
Metro

Centro Series



7900

Series Mortise Lock

SARGENT®

Raising the Bar of Excellence!



A Quality Mortise Lock for Less Demanding Applications



General Information

- Exceeds ANSI A156.13, Series 1000, Operational Grade 1 with all standard trims
- Heavy duty steel lever spring
- 3/4" stainless steel latchbolt - one piece construction
- Steel deadbolt assembly with hardened insert
- 5 Year mechanical warranty. Maintenance free

Functions and Finishes

- 22 Functions available, including electrical functions
- 7 Deadbolt functions
- 4 Solenoid functions
- 4 Double Cylinder functions
- The 7900 is available in the following finishes: 03, 04, 10, 10B, 26, 26D, 32 and 32D
- The 7900 with Metro Elements Levers (shown below) is available in the following finishes: 03, 04, 09, 10, 10B, 10BL, 15, 20D, 26, 26D, 32 & 32D

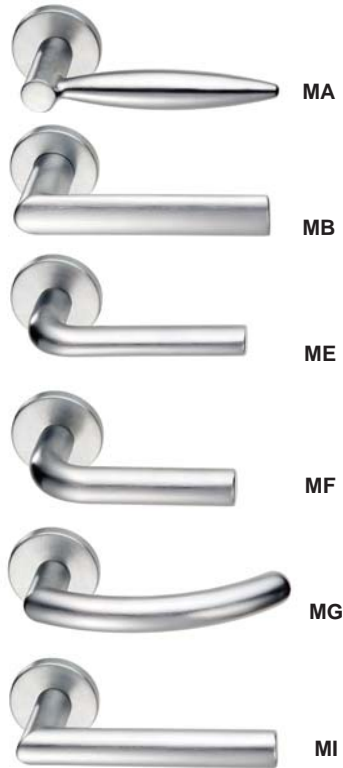
Rialto Series



Notting Hill Series



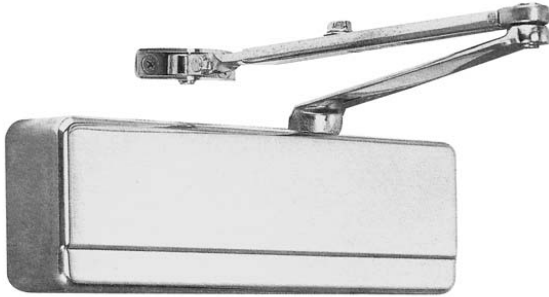
Aventura Series



Odeon Series



New Fully Adjustable SARGENT 1431 Series Powerglide Door Closer



The 1431 line of surface mounted door closers has been engineered to meet the demands of architects and building owners. The 1431 Series is a complete line of closers for interior and exterior doors with quality and flexibility to meet virtually every application.

1 Closer Spring Adjustment

- Effects the entire cycle of the door closer movement
- Used to size closer for application requirements
- Determines the amount of force with which the door closes and the amount of force required to open the door

2 Backcheck Valve

- At approximately 70° of the open cycle, the Backcheck Valve begins to slow the door's motion
- Prevents the door from slamming into the door's stop
- Valve is used to control the intensity of Backcheck

3 Delayed Action Valve (Optional)

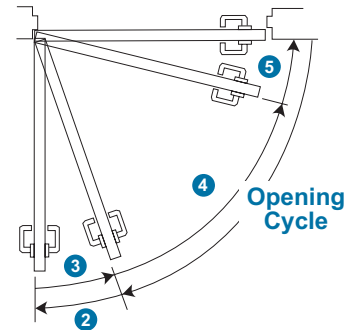
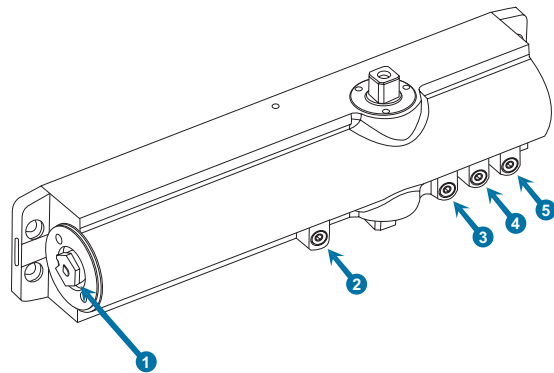
- Holds the door in the open position momentarily
- 20 second minimum hold open delay
- The feature is available for all applications and arms

4 Closing Speed Valve

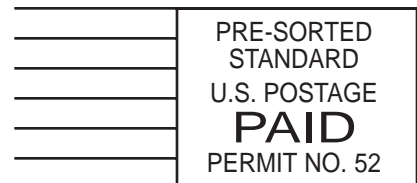
- Controls how fast the door closes to approximately 8" from the closed position

5 Latching Speed Valve

- Controls the speed of the door during the final 8" of door swing



30 Pond Park Road, Hingham, MA 02043



**PLEASE ROUTE TO
MAINTENANCE/LOCKSMITH**

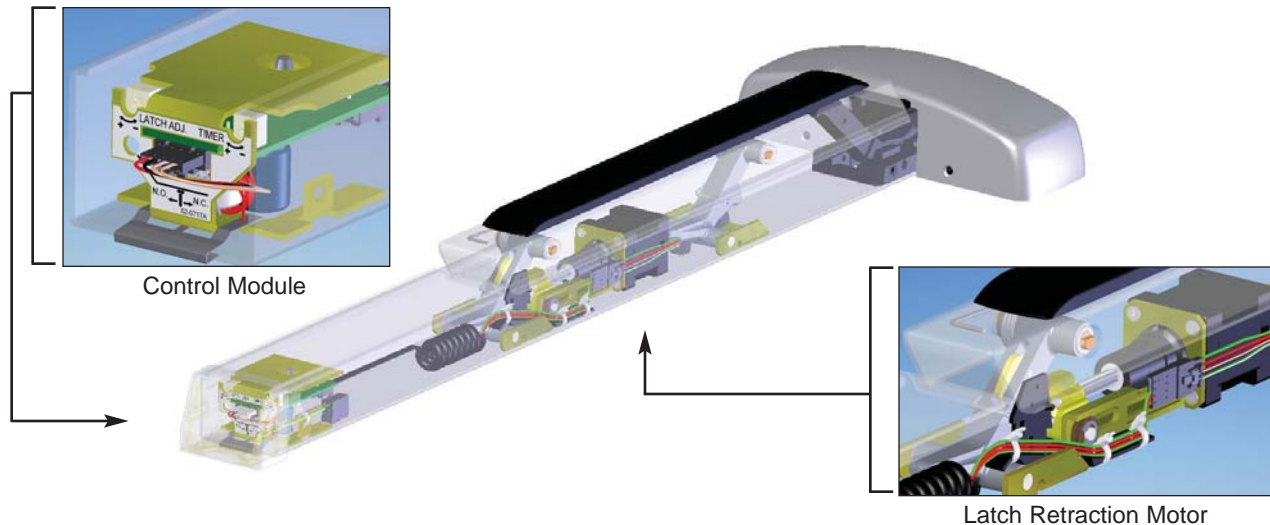


SARGENT® Next Generation 56 - *Electric Latch Retraction*



Situation: A job calls for an electric exit to be setup in a quiet location with a 26" door. This application also needs to be site adjustable and require no special power supply.

Solution: SARGENT's New 56 - Electric Latch Retraction exit device is the perfect choice for this situation that requires access control. This non-handed exit device rail is durable and easy to install. It utilizes a latch retraction motor rather than a solenoid, ensuring quiet operation, ideal for locations such as hospitals, conference rooms, theaters and libraries.



Technical Specifications

Modular construction

- Field serviceable

Motor Driven latch retraction for *smooth, precise operation*

- Quiet latch retraction and latch bolt re-latch
quietest ELR available

Broader range of rail lengths

- Now available for 26" to 48" doors

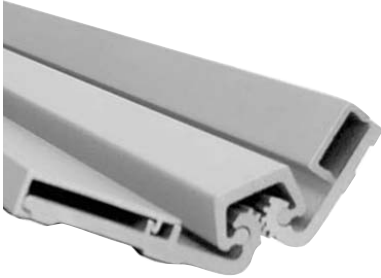
On Board *turn of the dial* adjustability

- Retraction position feature - adjusts quickly and easily
- Adjustable timer (0-10 seconds) - no costly external timer required

Low Current Draw - *No special power supply required*

- .9A during retraction and .15A in dogged hold position
- Uses standard electric hinge - special power transfer device NOT required

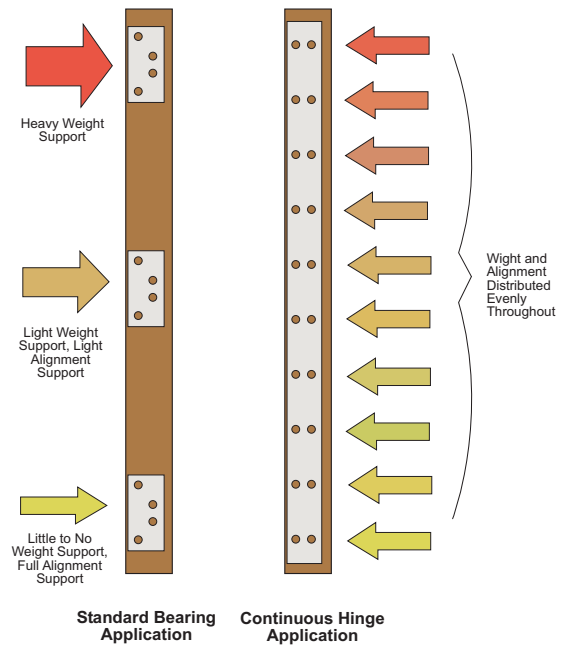
Benefits of the **McKINNEY**® Continuous Hinge



Unlike a conventional hinge, continuous hinges do not have a pin such as that found in a standard bearing hinge. Instead these hinges consist of two full-height paired and geared leaves. Each geared leaf rotates evenly from top to bottom riding on bearings. The geared leaves and bearings are held together by a full-length channel cap. This assembly retains the smooth, clean lines of the door and frame, while easily supporting heavy vertical loads.

Situation: There maybe a problem where an application using standard bearing hinges has been pulled from the frame due to heavy use. The door might be sagging slightly or the holes might have been stripped out completely. This can be a serious problem in the usage of the door.

Solution: The continuous hinge is an ideal solution in getting the door back up right on the frame and providing a secure, smooth operation. Since the weight of the door is held throughout the frame rather than a few points, the hinge can support the door in a more robust way.



Full Surface

Application: Aluminum store front

Full Mortise

Application: Wood w/ wood frame.

Half Surface

Application: Wood or metal in metal frame