

# Out of the blue

## New Cam Action Closer

### SARGENT 421 Series Cam Action Closer

The 421 Cam Action Door Closer provides the highest performance of any track type door closer made today. Its



**SARGENT**  
**ASSA ABLOY**

innovative cam action design applies the closing forces in

exactly the proper locations for smooth and efficient operation. The result is a door that is light to open and still has more than enough power to close.

The 421 Cam Action Door Closer is equipped standard with an integral adjustable rubber bumper and stop. This bumper works with the backcheck for enhanced door control. An adjustable hold open latch is available as an option.

### What's Inside

- Solutions for Hospital & Healthcare Facilities Continued
- New Products from the ASSA Abloy Group Companies
- How Cam Action Closers Work
- Delayed Egress Magnetic Locking System

## Exceeding the Expectations of Quality and Reliability



**8800 Series**

The value of any product is equal to the quality of the labor and materials put into making it. And Yale's 8800 Series mortise

lock is a perfect example that true quality doesn't just happen. Meticulous design and engineering have gone into manufacturing a mortise lock that brings you versa-

tility as well as uncompromising strength and durability.

When it comes to strength, the Yale® 8800 Series brings a new measure of security to the door. Its 1" throw stainless steel deadbolt extends further back into the reinforced steel case when in the locked position, providing added stability and resistance to abuse. Solid trim packages also provide deterrence to vandalism, making the 8800 Series a prime player in your total opening security package.

## Solutions for Hospital & Healthcare Facilities

Today, most healthcare environments have a mixture of open and restricted access areas, requiring multiple levels of security and access control. Keeping patients, staff and visitors safe, protecting assets, and channeling pedestrian traffic are high priorities for administrators.

Products from the ASSA ABLOY group companies provide a broad range of integrated life-safety, security and access control products to meet the needs of

modern healthcare facilities - from sprawling urban campuses to smaller, rural hospitals. Their innovative solutions are based on a detailed understanding of compliance, regulatory issues, and the operational nature of an open, nurturing facility.



Physical security is the first line of defense in keeping your facility safe, but we'll focus on crucial healthcare-specific issues such as Life-Safety and Infection Control. *Continued on inside*



# Solutions for Hospital & Healthcare Facilities

## Access Control



Today, knowing who is coming and going is just as important as restricting access entirely. This is especially true in environments where legal liability is a possible factor such as a hospital pharmacy. Using stand-alone digital and HID ProxCard devices from ASSA Abloy Group

Companies can help you meet many access control challenges. One of the newest innovations is HES's electric strike with an integrated proximity card reader. Combining the access control of an HID® Prox reader with the physical security of a Grade 1 electric strike, these devices encompass everything in the frame for faster installation and superior aesthetics.

## Life-Safety & Loss Prevention

People are the most important asset within any organization and protecting them takes planning and access to the right products. Devices such as exit devices perform the crucial function of facilitating safe egress while restricting access from the outside. Exit devices with LiteGuide™ and Beacon™, the industry's most comprehensive systems for pointing out emergency exit locations in low visibility conditions, can greatly improve the risk of life-safety.



## Infection Control

ASSA ABLOY has made significant strides in helping hospitals that have microbial contamination by offering a silver based antimicrobial coating on high touch locks and door hardware.



MicroShield™ is a revolutionary new hardware finish coating that continuously suppresses the growth of bacteria, algae, fungus, mold and mildew. It is ideal for

countless hardware applications where vigilance in the war against bacteria and mold is critical.

## Key Control

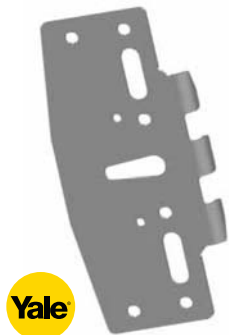
With a high percentage of crime being committed by individuals who have key access to a building or a section of a building, it is important to make sure your key system is under control. Manual sign-out sheets just won't cut it in today's atmosphere of heightened security and liability. Patented key systems prevent the unauthorized distribution of keys, and KeyWizard™ key management software makes it easy to track all issued keys from ASSA ABLOY Group companies.



CORBIN RUSSWIN Pyramid®, SARGENT KESO® F1 and YALE KeyMark® for patented keyway protection

# New Products from the ASSA Abloy Group Companies

## Yale® Anti-Pry Bracket for 7000 Series Exit Device



Yale Commercial Locks and Hardware is pleased to introduce an Anti-Pry Bracket for 7100 Rim and 7150 SquareBolt® Exit Devices. The Anti-Pry Bracket offers end users increased security by improving resistance against jamb spreading during a pry

attack. When the door is in the closed position, the Anti-Pry Bracket interlocks in position between the exit device strike and frame preventing the strike and exit device latch from being separated.



## Corbin Russwin® 613 & 722 Finishes

Corbin Russwin announces 613 (10B Brown) & 722 (10B Black) Finish Enhancements The 613 (10B-Brown; Dark Oxidized Satin Bronze, Oil Rubbed) finish hardware will be manufactured with a newly enhanced coloring process, that exhibits a traditional brown color. This innovative method, which includes newly developed coloring and oiling processes, will come standard on all Corbin Russwin 613 finish orders. A new 722 (10B-Black) finish designation is being introduced to specify Corbin Russwin's current dark black finish color.



613 (10B Brown)



722 (10B Black)



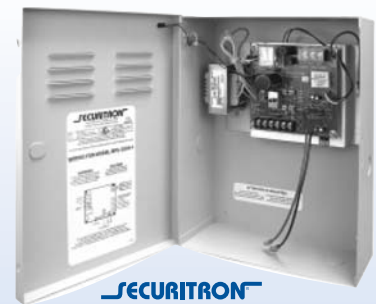
EXCEPTION: The new Museo™ decorative lever collection already uses 613 for 10B-Brown and 722 for 10B-Black finish colors.

## Securitron® BPS-12/24-1 Boxed Power Supply

The new BPS-12/24-1 Boxed Power Supplies are recommended for use with the most voltage sensitive electronic safety and security components including card readers, electric strikes, motion sensors and DC voltage cameras. They are also recommended where an interface with a fire alarm system or battery backup is needed. The BPS 12/24-1 is UL Class 2 listed, allowing for wire runs without the use of conduit from power supply to door.

Features and benefits include dual output, field selectable 12 or 24 VDC via clearly marked toggle switch and supplies 1 full AMP continuous current output, even while charging back-up batteries.

SPDT AC monitoring output allows for remote monitoring of the power supply's 110V AC input. Separate voltage inputs for load and battery allow the batteries to charge at a higher output while the load remains at exactly 12 or 24 VDC Polyswitch type breakers allow for large short duration inrush current if batteries are installed (approx. 20A for 1 second).



# The Original Aluminum Storefront Door Closer

## Norton® 1601BF 689 SNB Door Closers

The Norton 1601BF aluminum storefront door closer is possibly the most widely used door closer for standard commercial applications. Here are a few reasons why; 1601BF closer bodies are constructed from a special aluminum alloy housing carefully selected to accommodate interaction with steel components and operating conditions.

The rack & pinion operation provides a smooth constant control of the door through its full opening and closing cycle. 180° door swing can be achieved when door, frame, hardware and arm function do not limit door swing.

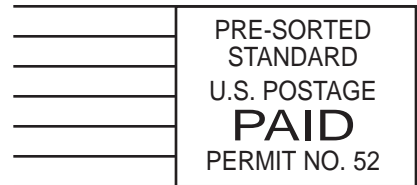
With few exceptions, 1601 door closers are non-handed and can be installed on either right or left hand swing doors. Pinion shaft extends vertically through the closer body in both directions. This permits the closer to be positioned on either right or left hand doors for most applications.



NorGlide® door closer fluid is a specially formulated hydraulic fluid that contains lubricity and antioxidation agents that provide optimum performance and efficiency. This fluid complements the interaction of the door closer's aluminum housing with its steel and zinc components, while maintaining stable viscosity to allow the door closer to perform in temperatures ranging from extremely high to as low as -40° F.



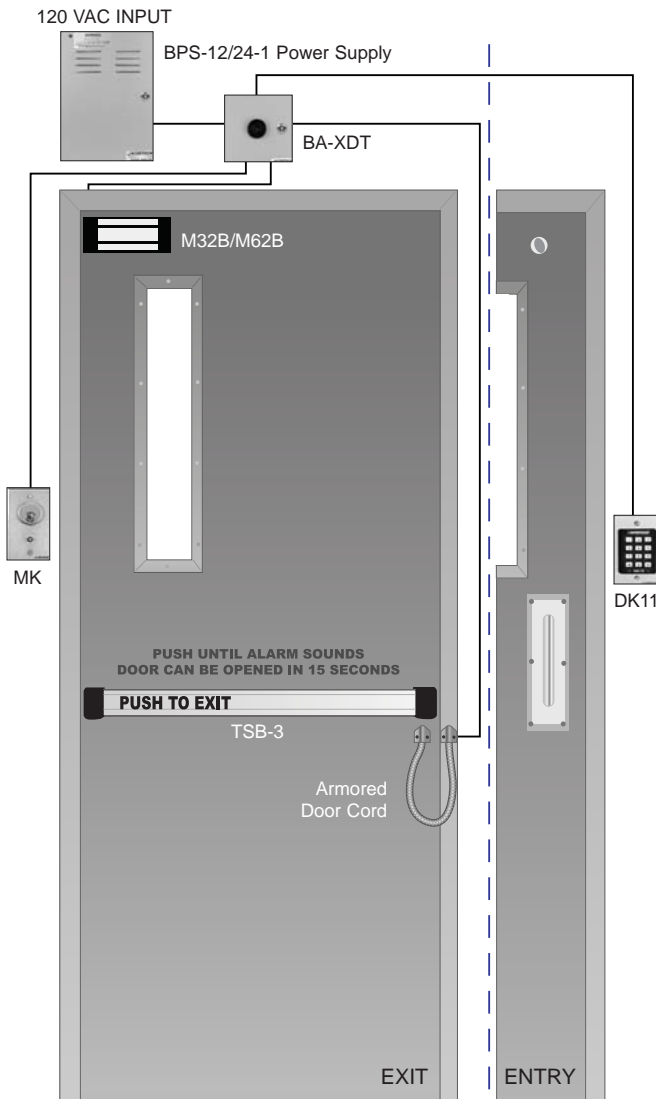
30 Pond Park Road, Hingham, MA 02043



**PLEASE ROUTE TO  
MAINTENANCE/LOCKSMITH**

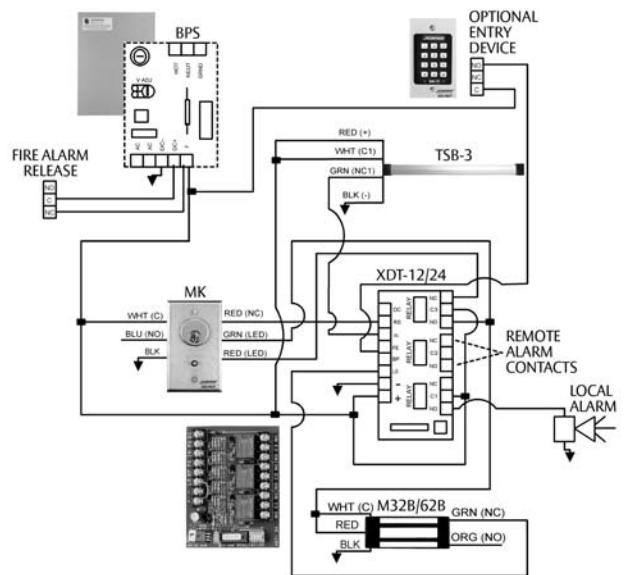
## Securitron® Delayed Egress Magnetic Locking Systems

Securitron's Delayed Egress Magnetic Locking System is used on exit doors where a 15 to 30 second delay is desirable before egress is allowed. This exit delay system is typically used to fight risk of loss by theft in retail sites, museums, libraries, etc. Exit delay technology is also an important safety consideration for hospitals and nursing homes as these facilities are often responsible for preventing unauthorized exit by patients under their supervision. This system meets NFPA life safety code 101 and all US/Canada model codes.



**Outside Operation** - The door is secured via the M32B/M62B Magnalock. Entry is permitted using an optional entry device which releases the magnetic lock and shunts the exit delay system as well as the alarm contacts.

**Inside Operation** - The door is secured via the Magnalock. Egress without the alarm is accomplished using an optional bypass device. Emergency egress is accomplished when the BA-XDT is activated by pushing on the TSB-3 bar which will initiate the exit delay cycle. The Magnalock will release after the selected delay period has expired, allowing egress. The Magnalock will not resecure until the door system is reset using the MK keyswitch.



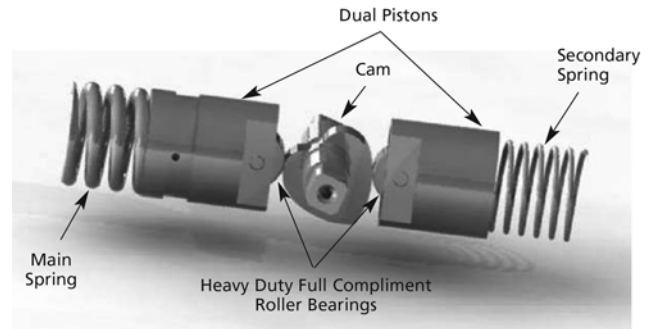
Specific applications are subject to approval by local building code official or fire marshal.

## A Look at How Cam Action Closers Work

Cam action door closers are designed to meet the opening force requirements established by the Americans with Disabilities Act (ADA) limiting the opening force to 5 pounds for interior doors and 8 pounds for exterior doors. But how do they work?

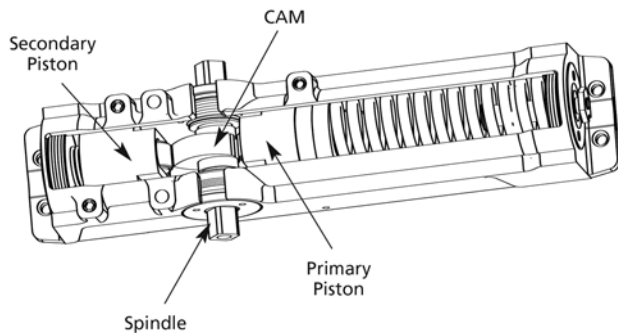
Conventional door closers are restricted by the linear gear ratio of the rack and pinion. This results in a constant application of spring force as the door opens and closes. While this is very effective in double lever arm applications, single lever track arm applications have limitations.

The shape of the cam is the heart of the cam action door closer. The cam controls the application of the

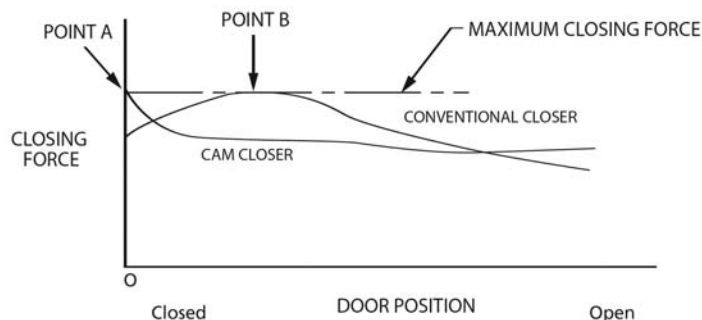


spring forces and is carefully designed to apply those forces in the most effective manner for track type applications.

Cam action door closers have the highest efficiency of any surface mounted door closer on the market today. This means that a door equipped with this closer will feel light to open and have plenty of power to overcome stack pressure or other problems at latch. The high efficiency comes from its advanced design. Closing forces are applied to the spindle through the continuous smooth surface of the cam and hardened roller bearing follower. The dual pistons' simplified design provides a superior internal seal and reduced friction within the closer.



The cam action closer exerts the strongest closing force at latch where it is needed the most to overcome stack pressures. The Graph below shows the closing cycle of a conventional closer versus a cam action closer.



**Point A** - The Cam Closer has the maximum closing force at the point the door is closing

**Point B** - The Conventional Closer has the maximum closing force in the middle of the cycle rather than at the closing point where the latch engages the strike.