

# Out of the blue



Winter  
2003

Established 1917  
**DUGMORE  
& DUNCAN.**  
The **SARGENT** Source

2003 Vol. V — Issue II

## SARGENT®

### MPower 4000

The new **SARGENT MPower** Low Energy Door Operator is designed to automatically open and close doors with a low energy opening force. It functions using an A/C motor and hydraulic pump to activate a heavy-duty hydraulic door closer controlled by an Electric Limit Switch (ELS) circuit board that limits the degree of door swing. The MPower is your best choice in a low-energy power door operator. □



#### *BENEFITS*

- Field Reversible or handed units available
- Push Side or Pull Side applications
- Power Assist selector switch
- Push and Go selector switch
- Open/Close Obstruction Detection
- Motor startup delay adjustment
- Vestibule Function Delay adjustment
- Door Hold Open Delay adjustment
- Single pole double throw (SPDT) relay output
- SPDT Relay Output time adjustment
- SPDT Alarm Output
- Blow Open Function for smoke ventilation
- Infinite Hold Open function
- Presence Detector input





## EMPLOYEE PROFILE



## Michelle Lawn

*Keying Department*

In 1998 Michelle made her debut at D&D in the Picking/Shipping Department. Early on, she developed a keen interest in the SARGENT keying phase of our operation. At this time, she has successfully completed factory-training programs for Yale & Corbin Russwin as well as for SARGENT.

Step by step, Michelle explored the intricacies of SARGENT key systems and the process involved in providing the actual keys. Michelle credits company Vice President Bob Cullum with being her keying "Guru".

With Bob answering her questions and sharing his expertise, Michelle became quite adept and knowledgeable. She tackles orders from the simplest to the most complex. For the past 3 1/2 years she has

been a valuable asset to our Keying Department.

Following the guidelines established in an existing SARGENT factory key system, Michelle cuts the keys to fill an order. She is very enthusiastic about the user-friendly way that the HPC Code Max machines SARGENT keys to her programmed specifications.

Michelle also has a natural affinity for repairing broken cylinders and keys. She flashes her quick smile when asked about some of the TLC that she applies to hardware that is sent to her to be rescued! While some are quite a challenge, salvaging them is one of her favorite tasks. □



## MERCI

*"Open the Door to Understanding"*



One of our long-time locksmith customers recently asked for our help in a project for **MERCI—“Mentally and Educationally Retarded Citizens Inc”**. This is a non-profit school for Down's syndrome citizens.

We were contacted to see if we were willing to donate the hardware for a twelve opening update. This entire renovation involved inviting industry vendors to work together to help with school repairs and bring it up to code. Dugmore & Duncan worked with SARGENT to

provide all twelve sets of exit hardware for this installation at no cost to the school. This particular organization is located in Monterey Park, CA but it is representative of similar groups nationwide that exist to give support to severely challenged members of society. This provided a wonderful opportunity to join forces with other industry vendors to assist in bringing this much-needed facility up to specs with minor strain on the all ready over-strapped local budget.

We say "merci" to the caring and involved people who included us in the plan that brought about this improvement for a group of people who are most deserving. Lots of small contributions can add up to big accomplishments. That's teamwork; keep it alive! □



# What's New **IN THE INDUSTRY**



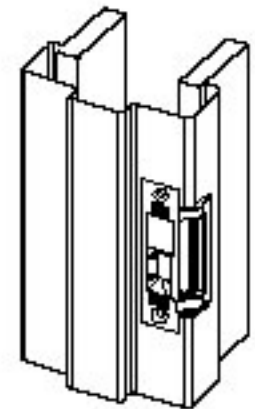
## SARGENT XC SERIES CYLINDER

The **SARGENT XC Series** is a patented product which incorporates a side pin mechanism working in conjunction with a specially milled key. This XC patented product can readily be integrated into most existing SARGENT key systems. Since the keyways used for XC are the same as many other Sargent key systems, this offers a highly cost effective means of achieving higher security without the need to change an existing system.



## 4500 SERIES ELECTRIC STRIKE

**hes** has modernized the traditional style fire rated electric strike to bring you yet another first. The 4500 is the first electric strike designed for installation in 2" UL 10C fire rated frames with the required 1/2" drywall penetration. Based on the design of the HES 5000 series, the new 4500 electric strike features a low profile 1-3/8" depth, heavy duty cast stainless steel construction and horizontal adjustment for simple installation. The 4500 takes "heavy duty" to the next level. Its strength is derived from a unique keeper/pin locking design, which enables the 4500 to exceed the ratings of the frame, door and locking hardware.



Strike depth: 1-3/8"



## SECURED INDICATOR ROSE FOR 7800/8200 MORTISE LOCKS

**SARGENT** is pleased to announce the new 50-Secured Indicator Rose to complement the 49-visual status & occupancy indicators. Rugged and durable, the 50- works with most lock functions to display the lock status on the outside of the door.

When combined with a Classroom Security lock and 49-Indicator, the status of the lock is apparent at a glance from either side of the door.



F

# Extend the life of your electric strike.

The **Smart Pac II** from **HES** is a complex in-line power controller that makes operating an electric strike easy. It has the ability to help the strike *run cool* during *continuous duty* applications. This is accomplished by applying the initial voltage to energize the strike and then reducing the voltage after a few seconds to a lower "holding" voltage. This has the effect of lowering the overall heat dissipated by the coil and makes it more efficient to operate over long periods.



The Smart Pac II will operate on either Alternating Current (AC) or Direct Current (DC), between 12 and 32 volts. The input voltage must be equal to or greater than the voltage required by the electric strike. It is capable of working with both Fail-Safe and Fail-Secure

electric strikes in four different operational modes. The Smart Pac II includes a built in bridge rectifier, a zenner diode to protect the host system from possible reverse current surges and a minimum activation timer. □

# hes



# From the Editor.



Brian Lundgren

*Well I finally made it to one of the trade shows this past fall. The Yankee show out in western*

*Mass. was a great experience. I got to meet some of our customers, talk to the manufacturer reps and learned about all the new products coming onto the market. I even ran into an old friend at the show, which was a wonderful surprise. If some of you have never been to a trade show you should consider attending one in your area. Not only will you gain some knowledge of the newest and greatest products on the market but also you might even run into an old friend.*



Established 1957  
**DUGMORE & DUNCAN.**  
The SARGENT Source

30 Pond Park Road, Hingham, MA 02043



PRE-SORTED  
STANDARD  
U.S. POSTAGE  
**PAID**  
PERMIT NO. 52

RETURN SERVICE REQUESTED

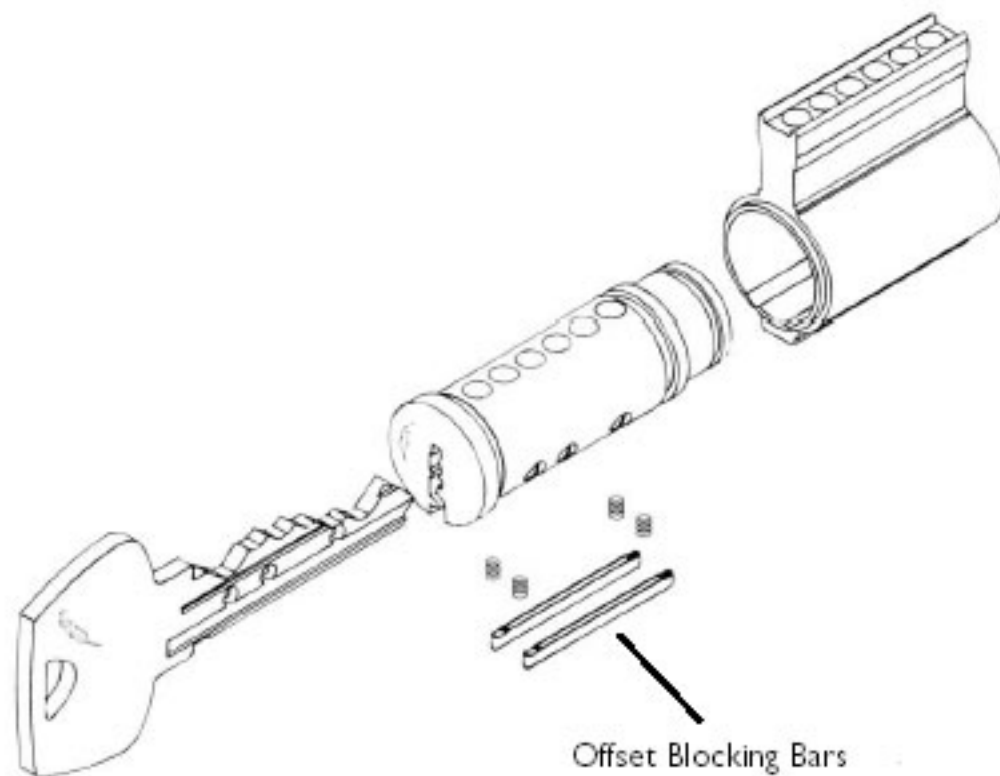
**PLEASE ROUTE TO  
MAINTENANCE/LOCKSMITH**



## Keying Tips

**SARGENT's** patented **Signature** key design is a perfect solution for providing additional control over unauthorized key duplication, while the cylinder's unique design resists attempts at manipulation. Unfortunately this makes keying them a challenge without the right tools.

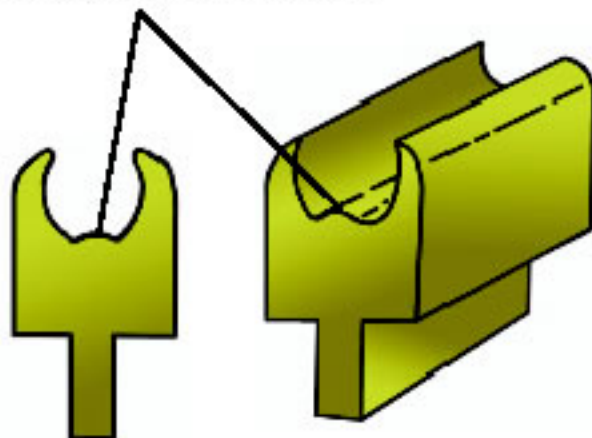
### Solution: SARGENT's LT-2 loading thimble



**Signature** series uses two offset blocking bars to prevent compromise of anything other than a correctly dimpled and bitted key. These bars need to be held in place while pinning the cylinder. Conventional thimble holders will hold the blocking bars in while pinning but the cylinder needs to face up in order to pull out the key. This causes the blocking bars to be exposed and they may become airborne due to the springs.

With the low cost solution of the SARGENT LT2 Loading Thimble, the blocking bars sit into the groove to allow the key to be extracted without parts flying around.

Blocking Bars sit into groove



LT2 is included in the 437 SARGENT pin kit or can be ordered as a separate item.

Thanks to Fred Howe, Outside Sales Team Member for this keying tip.

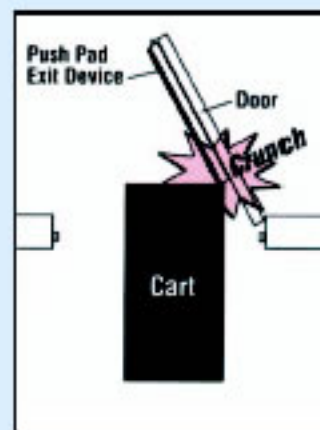




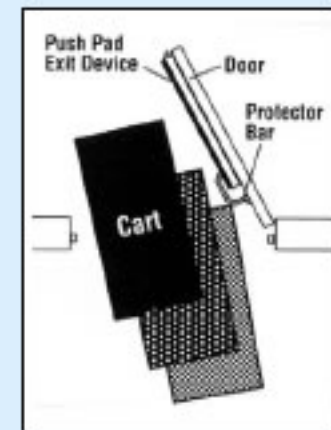
**Situation:** Damage to doors and door trim (exit devices, knobs, levers etc.) from hallway traffic such as carts and gurneys.

**Method:** Use **Rockwood Manufacturing's** line of trim protector hardware to safely deflect objects away from the door or trim.

### HOW THEY WORK...



**WITHOUT BAR**  
 Costly Damage



**WITH BAR**  
 Safely Deflected Away

**Rockwood's** line of trim protector bars are made of solid stainless steel and are available in both **standard duty (3/16")** and **heavy duty (3/8")** versions. US32D, satin stainless steel, are the standard finishes, other materials/finishes are available on special order. Thru bolt mounting is provided with these products. The bars are mounted either directly below, over, or in front of the trim depending on the application. They are available in a variety of projections and center to centers to fit your needs.

